

Passione in **movimento**  
Passion in **motion**



GEARLESS

 **PRIMO**<sup>®</sup>  
ITALIAN MACHINE

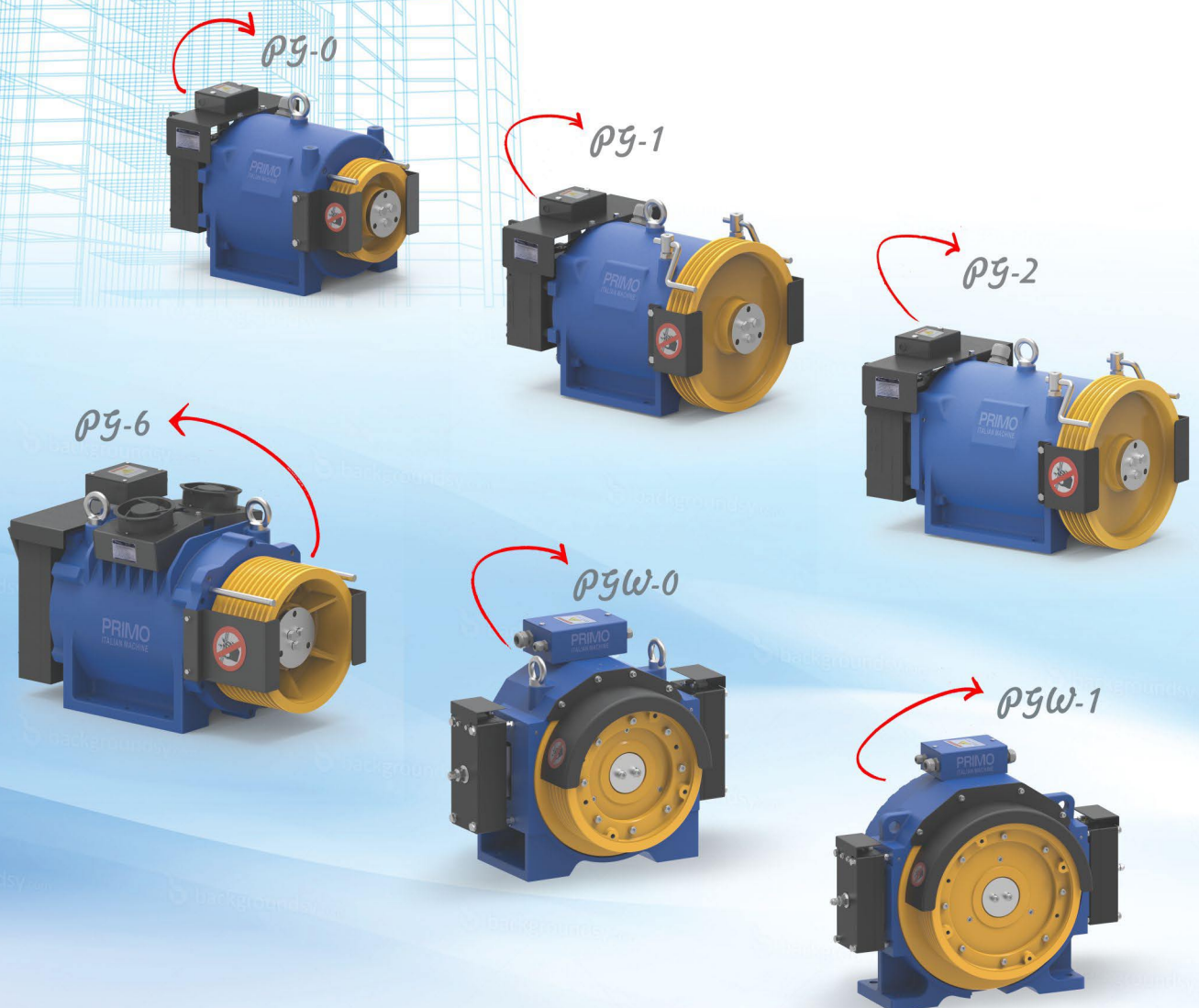
# GEARLESS

**PRIMO**<sup>®</sup>  
ITALIAN MACHINE

## PM Gearless Machine

"Macchina gearless di nuova generazione con motore sincrono a magneti permanenti per ascensori"

"New generation permanent magnet synchronous gearless traction machine"





## Serie PG

Il miglior gearless. By PRIMO!

La serie PG è un gearless a rotore interno. Offre tutti i vantaggi di una macchina per elevatori all'avanguardia della tecnica.

### I Vantaggi:

- Risparmio energetico
- Ecologico
- Installazione semplice ed economica
- Dimensioni compatte
- Eccellente manovrabilità
- Silenzioso!

Grazie al design compatto, la serie PG è ideale per tutti gli elevatori MRL con la macchina installata nella testata del vano corsa. La serie PG permette la costruzione di impianti MRL con la macchina installata all'interno del vano corsa senza violare alcun brevetto.

La serie PG offre le seguenti possibilità:

- Nel caso di arcata a sbalzo, sia con rinvio 1:1 o 2:1, la serie PG non richiede alcuna puleggia di rinvio e può essere installata velocemente e con costi minimi. Sono disponibili su richiesta, pacchetti ascensore completi.
- Freni certificati MAYR assicurano sempre la massima sicurezza e includono la sicurezza contro i movimenti incontrollati di cabina (A3)

Il Team PRIMO è sempre pronto a discutere con i vostri tecnici per ogni tipo di richiesta tecnica e per supporto.

PRIMO si riserva il diritto di eseguire modifiche alle dimensioni e al progetto per il miglioramento tecnico del prodotto.

## PG Series

The Best Gearless Machine concept by PRIMO!

PG Series is a Gearless Traction Machine, designed as an inner rotor motor. It offers all the benefits of a modern elevator machine.

### Advantages:

- Energy Saving
- Eco-friendly
- Simple and cost-effective Installation
- Compact Design
- Excellent Controllability
- Low Noise Level

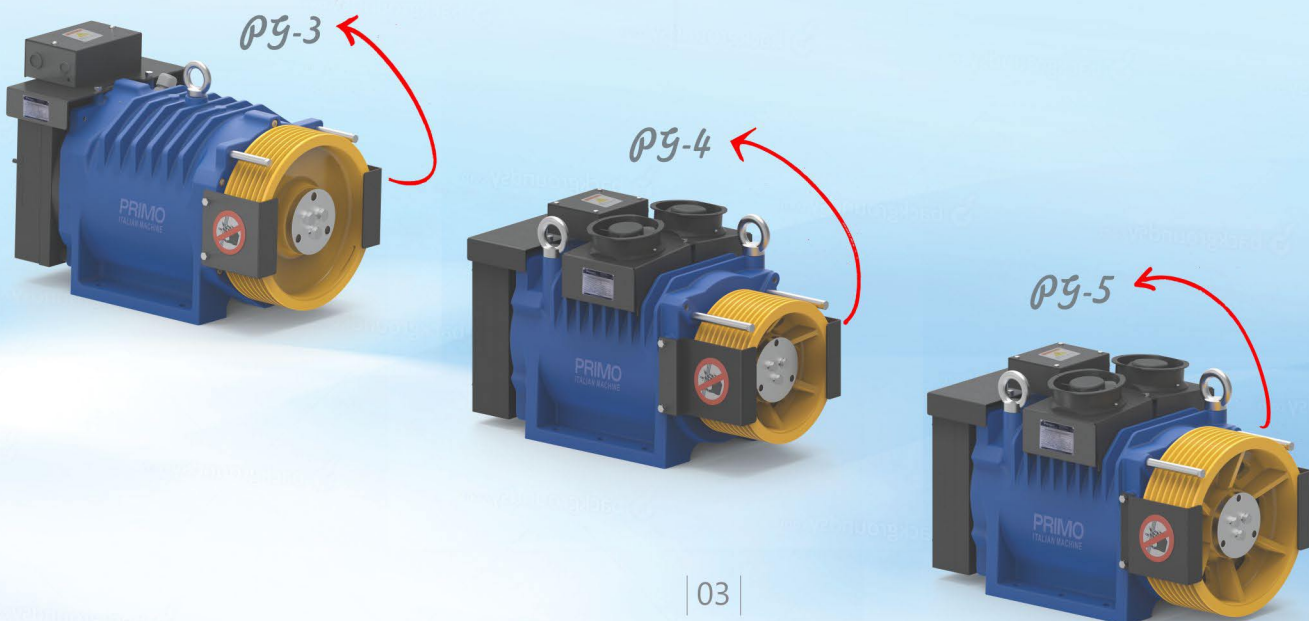
Due to the compact design, PG Series is ideal for all machine room less elevator with the machine in the shaft head. PG Series allows the construction of a machine room less elevator, where the machine is placed in the shaft head without any patent infringement.

PG series offers below possibilities for elevator manufacture:

- The Cantilever design in suspension (either 2:1 or 1:1) allows simple elevator design without any diverting pulleys and it can be installed on site very cost effective and quickly. Complete Lift packages are available on request.
- Certified Brakes from MAYR ensure always maximum safety and can be used as a safety device against the uncontrolled car movement (A3).

PRIMO Team is always ready 24 x 7 to discuss with your specialists for any kind of technical concept as well as Technical Support.

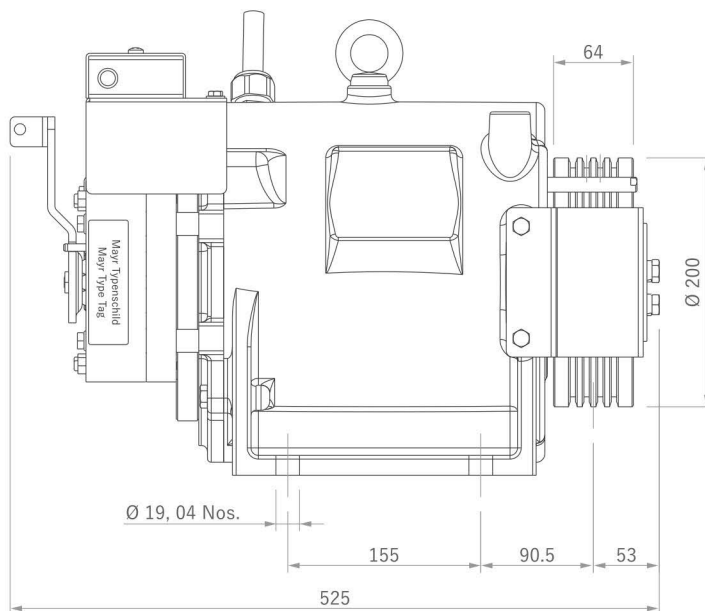
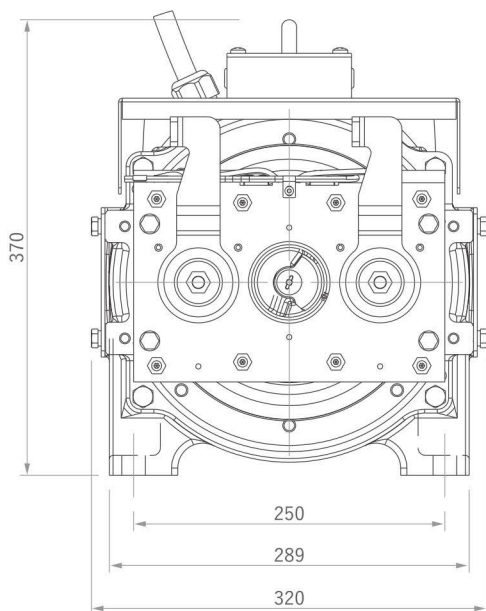
PRIMO reserves the right to make changes in dimensions and design that contributes to the technical improvement of our product.





Carico Statico Static Load	2000 Kg
Sospensione Suspension	2:1
Voltaggio Voltage	230 V
Freno Brake	207 VDC
Peso Weight	132* Kg

\*Weight of machine is varies according to selection of sheave and motor.  
\*il peso della macchina varia in base alla scelta della puleggia e del motore.



All dimensions are in mm.  
Tutte le grandezze sono espresse in mm.





• Tabella di scelta / Duty table

• Voltaggio / Voltage : 230 V • Efficienza Vano / Shaft Efficiency : 0.85

Sospensione / Suspension : 2:1

• Avviamenti all'ora / Start Per Hour : 180 • Freno / Brake : 207 VDC

Carico Statico / Static Load : 2000 Kg

Codice Modello	Portata (kg)	Velocita' (m/s)	Peso Max Fune (kg)	Diametro Puleggia (mm)	Funi Puleggia (nxdxp) (mm)	Corrente (A)	Coppia (Nm)	Velocita' Nominale (rpm)	Frequenza (Hz)	Potenza (kW)	Poli	Categoria di Servizio	Classe di Isolamento	Codice IP
Model Code	Load (kg)	Lift Speed (m/s)	Max. Rope Weight (Kg)	Sheave Dia (mm)	Rope Sheave (mm)	Current (A)	Torque (Nm)	Rated Speed (rpm)	Frequency (Hz)	Power (kW)	Pole	Rating	INS. Class	IP Code
PGO-4P0A3	320	0.32	20	ø200	4 x Ø6 x 11	4.0	100	61	10.2	0.65	20	S5 (40%)	F Class	IP40
PGO-4P0A4		0.40			4 x Ø6 x 11	4.0	100	76	12.7	0.80				
PGO-4P0A5		0.50			4 x Ø6 x 11	4.1	100	96	15.9	1.00				

PGO-5P0A3	400	0.32	20	ø200	4 x Ø6 x 11	5.0	130	61	10.2	0.80	20	S5 (40%)	F Class	IP40
PGO-5P0A4		0.40			4 x Ø6 x 11	5.0	130	76	12.7	1.00				
PGO-5P0A5		0.50			4 x Ø6 x 11	5.2	130	96	15.9	1.30				

PGO-6P0A3	450	0.32	20	ø200	4 x Ø6 x 11	5.9	150	61	10.2	0.90	20	S5 (40%)	F Class	IP40
PGO-6P0A4		0.40			4 x Ø6 x 11	6.0	150	76	12.7	1.10				
PGO-6P0A5		0.50			4 x Ø6 x 11	6.2	150	96	15.9	1.50				

• Subject to change without any prior notice! / Soggetto a modifiche senza preavviso!

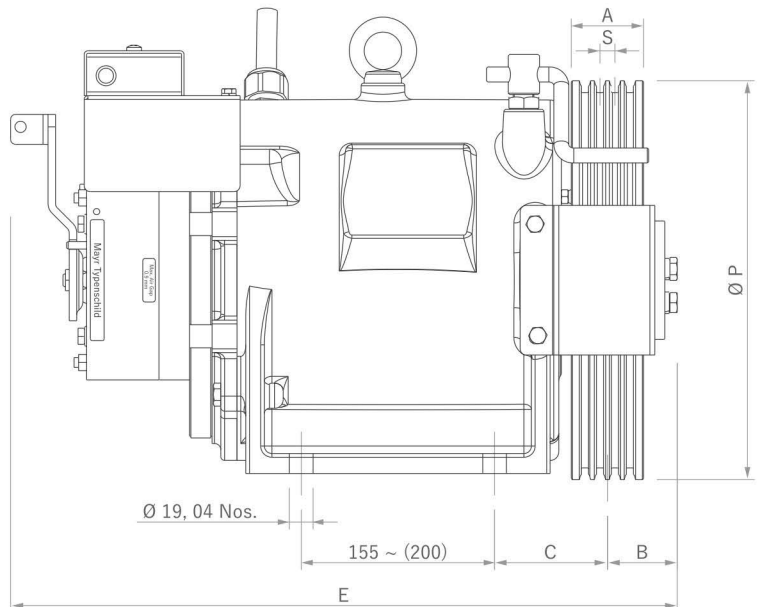
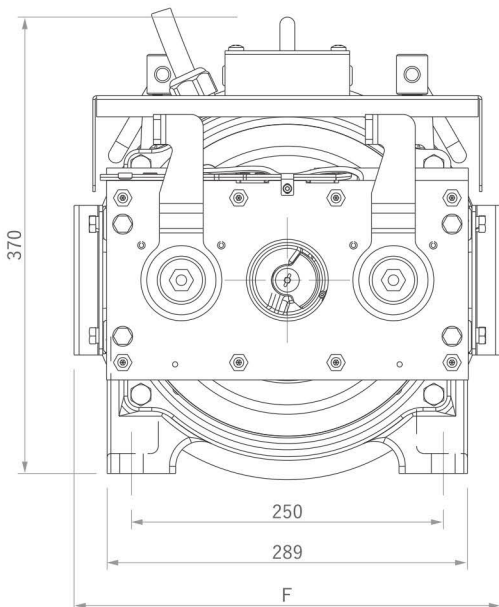


Carico Statico Static Load	1700 / 3400 Kg
Sospensione Suspension	1:1 / 2:1
Voltaggio Voltage	400 V
Freno Brake	207 VDC
Peso Weight	168* Kg

\*Weight of machine is varies according to selection of sheave and motor.  
\*Il peso della macchina varia in base alla scelta della puleggia e del motore.



ØP	A	B	C	N X ØD	E	F	S
Ø120	75	48	99	5/6 X Ø6	535	320	11
Ø160				5/6 X Ø6/Ø6.5			
Ø120	108	62	115.5	7/8/9 X Ø6	565	320	11
Ø160				7/8/9 X Ø6/Ø6.5			
Ø200	64	53	93.5	4/5 X Ø6/Ø6.5	535	320	11
Ø240							
Ø200	97	57	110	6/7/8 X Ø6/ Ø6.5	555	320	11
Ø240							
Ø320	70	50	96.5	3/4 X Ø8	535	345	12



Dimension in bracket is applied to elevator machine with selection of load and pulley dia.  
Le dimensioni tra parentesi si riferiscono alla macchina selezionata in base alla scelta di carico e diametro puleggia

All dimensions are in mm.  
Tutte le grandezze sono espresse in mm.



• Voltaggio / Voltage : 400 V • Efficienza Vano / Shaft Efficiency : 0.85

Sospensione / Suspension : 1:1

• Avviamenti all'ora / Start Per Hour : 180 • Freno / Brake : 207 VDC

Carico Statico / Static Load : 1700 Kg

Codice Modello	Portata (kg)	Velocita' (m/s)	Peso Max Fune (kg)	Diametro Puleggia (mm)	Funi Puleggia (nxdxp) (mm)	Corrente (A)	Coppia (Nm)	Velocita' Nominale (rpm)	Frequenza (Hz)	Potenza (kW)	Poli	Categoria di Servizio	Classe di Isolamento	Codice IP
Model Code	Load (kg)	Lift Speed (m/s)	Max. Rope Weight (Kg)	Sheave Dia (mm)	Rope Sheave (mm)	Current (A)	Torque (Nm)	Rated Speed (rpm)	Frequency (Hz)	Power (kW)	Pole	Rating	INS. Class	IP Code
PG1-3P0A5 11	225	0.5	30	Ø120	6 X Ø6.0 X 11	4.0	112	80	13.3	1.0	20	S5 (40%)	F Class	IP40
PG1-3P1A0 11		1.0			6 X Ø6.0 X 11	6.0	112	159	26.5	1.9				
PG1-3P1A5 11		1.5			6 X Ø6.0 X 11	7.0	112	239	39.8	2.8				
PG1-3P1A6 11		1.6			6 X Ø6.0 X 11	7.2	112	254	42.4	3.0				
PG1-4P0A5 11	300	0.5	30	Ø120	7 X Ø6.0 X 11	5.5	142	80	13.3	1.2	20	S5 (40%)	F Class	IP40
PG1-4P1A0 11		1.0			7 X Ø6.0 X 11	7.5	142	159	26.5	2.4				
PG1-4P1A5 11		1.5			7 X Ø6.0 X 11	8.5	142	239	39.8	3.5				
PG1-4P1A6 11		1.6			7 X Ø6.0 X 11	8.7	142	254	42.4	3.8				
PG1-5P0A5 11	375	0.5	30	Ø120	7 X Ø6.0 X 11	6.0	170	80	13.3	1.4	20	S5 (40%)	F Class	IP40
PG1-5P1A0 11		1.0			7 X Ø6.0 X 11	8.5	170	159	26.5	2.9				
PG1-5P1A5 11		1.5			7 X Ø6.0 X 11	9.8	170	239	39.8	4.3				
PG1-5P1A6 11		1.6			7 X Ø6.0 X 11	10.0	170	254	42.4	4.6				
PG1-6P0A5 11	450	0.5	30	Ø120	8 X Ø6.0 X 11	6.8	200	80	13.3	1.7	20	S5 (40%)	F Class	IP40
PG1-6P1A0 11		1.0			8 X Ø6.0 X 11	10.5	200	159	26.5	3.4				
PG1-6P1A5 11		1.5			8 X Ø6.0 X 11	11.0	200	239	39.8	5.0				
PG1-6P1A6 11		1.6			8 X Ø6.0 X 11	11.5	200	254	42.4	5.3				
PG1-7P0A5 11	525	0.5	30	Ø120	9 X Ø6.0 X 11	8.0	230	80	13.3	2.0	20	S5 (40%)	F Class	IP40
PG1-7P1A0 11		1.0			9 X Ø6.0 X 11	12.0	230	159	26.5	3.9				
PG1-7P1A5 11		1.5			9 X Ø6.0 X 11	12.8	230	239	39.8	5.8				
PG1-7P1A6 11		1.6			9 X Ø6.0 X 11	13.5	230	254	42.4	6.1				
PG1-3P0B5 11	225	0.5	30	Ø160	6 X Ø6.0 X 11	5.8	150	60	10.0	1.0	20	S5 (40%)	F Class	IP40
PG1-3P1B0 11		1.0			6 X Ø6.0 X 11	6.5	150	119	19.9	1.9				
PG1-3P1B5 11		1.5			6 X Ø6.0 X 11	8.8	150	179	29.8	2.8				
PG1-3P1B6 11		1.6			6 X Ø6.0 X 11	9.2	150	191	31.8	3.0				
PG1-4P0B5 11	300	0.5	30	Ø160	7 X Ø6.0 X 11	6.5	190	60	10.0	1.2	20	S5 (40%)	F Class	IP40
PG1-4P1B0 11		1.0			7 X Ø6.0 X 11	7.0	190	119	19.9	2.4				
PG1-4P1B5 11		1.5			7 X Ø6.0 X 11	10.5	190	179	29.8	3.5				
PG1-4P1B6 11		1.6			7 X Ø6.0 X 11	11.0	190	191	31.8	3.8				
PG1-5P0B5 11	375	0.5	30	Ø160	7 X Ø6.0 X 11	8.0	227	60	10.0	1.5	20	S5 (40%)	F Class	IP40
PG1-5P1B0 11		1.0			7 X Ø6.0 X 11	8.8	227	119	19.9	2.9				
PG1-5P1B5 11		1.5			7 X Ø6.0 X 11	12.5	227	179	29.8	4.3				
PG1-5P1B6 11		1.6			7 X Ø6.0 X 11	13.0	227	191	31.8	4.6				



• Tabella di scelta / Duty table

• Voltaggio / Voltage : 400 V • Efficienza Vano / Shaft Efficiency : 0.85

Sospensione / Suspension : 1:1

• Avviamenti all'ora / Start Per Hour : 180 • Freno / Brake : 207 VDC

Carico Statico / Static Load : 1700 Kg

Codice Modello	Portata (kg)	Velocita' (m/s)	Peso Max Fune (kg)	Diametro Puleggia (mm)	Funi Puleggia (nxdxp) (mm)	Corrente (A)	Coppia (Nm)	Velocita' Nominale (rpm)	Frequenza (Hz)	Potenza (kW)	Poli	Categoria di Servizio	Classe di Isolamento	Codice IP
Model Code	Load (kg)	Lift Speed (m/s)	Max. Rope Weight (Kg)	Sheave Dia (mm)	Rope Sheave (mm)	Current (A)	Torque (Nm)	Rated Speed (rpm)	Frequency (Hz)	Power (kW)	Pole	Rating	INS. Class	IP Code
PG1-6P0B5 11	450	0.5	30	Ø160	8 X Ø6.0 X 11	9.2	267	60	10.0	1.7	20	S5 (40%)	F Class	IP40
PG1-6P1B0 11		1.0			8 X Ø6.0 X 11	9.9	267	119	19.9	3.4				
PG1-6P1B5 11		1.5			8 X Ø6.0 X 11	13.5	267	179	29.8	5.0				
PG1-6P1B6 11		1.6			8 X Ø6.0 X 11	14.0	267	191	31.8	5.4				
PG1-7P0B5 11	525	0.5	30	Ø160	9 X Ø6.0 X 11	10.8	306	60	10.0	1.9	20	S5 (40%)	F Class	IP40
PG1-7P1B0 11		1.0			9 X Ø6.0 X 11	11.5	306	119	19.9	3.9				
PG1-7P1B5 11		1.5			9 X Ø6.0 X 11	14.8	306	179	29.8	5.6				
PG1-7P1B6 11		1.6			9 X Ø6.0 X 11	15.0	306	191	31.8	6.1				
PG1-3P0C5 11	225	0.5	30	Ø200	6 X Ø6.0 X 11	6.5	185	48	8.0	1.0	20	S5 (40%)	F Class	IP40
PG1-3P1C0 11		1.0			6 X Ø6.0 X 11	7.0	185	96	15.9	1.9				
PG1-3P1C5 11		1.5			6 X Ø6.0 X 11	10.2	185	143	23.8	2.8				
PG1-3P1C6 11		1.6			6 X Ø6.0 X 11	10.5	185	153	25.5	3.0				
PG1-4P0C5 11	300	0.5	30	Ø200	7 X Ø6.0 X 11	8.2	235	48	8.0	1.2	20	S5 (40%)	F Class	IP40
PG1-4P1C0 11		1.0			7 X Ø6.0 X 11	9.0	235	96	15.9	2.4				
PG1-4P1C5 11		1.5			7 X Ø6.0 X 11	12.0	235	143	23.8	3.5				
PG1-4P1C6 11		1.6			7 X Ø6.0 X 11	12.5	235	153	25.5	3.8				
PG1-5P0C5 11	375	0.5	30	Ø200	7 X Ø6.0 X 11	10.0	285	48	8.0	1.5	20	S5 (40%)	F Class	IP40
PG1-5P1C0 11		1.0			7 X Ø6.0 X 11	10.8	285	96	15.9	2.9				
PG1-5P1C5 11		1.5			7 X Ø6.0 X 11	14.0	285	143	23.8	4.3				
PG1-5P1C6 11		1.6			7 X Ø6.0 X 11	14.5	285	153	25.5	4.6				
PG1-3P0D5 11	225	0.5	30	Ø240	6 X Ø6.0 X 11	8.0	225	40	6.6	1.0	20	S5 (40%)	F Class	IP40
PG1-3P1D0 11		1.0			6 X Ø6.0 X 11	8.8	225	80	13.3	1.9				
PG1-3P1D5 11		1.5			6 X Ø6.0 X 11	9.2	225	120	19.9	2.8				
PG1-3P1D6 11		1.6			6 X Ø6.0 X 11	9.5	225	127	21.2	3.0				
PG1-4P0D5 11	300	0.5	30	Ø240	6 X Ø6.0 X 11	10.0	285	40	6.6	1.2	20	S5 (40%)	F Class	IP40
PG1-4P1D0 11		1.0			6 X Ø6.0 X 11	10.5	285	80	13.3	2.4				
PG1-4P1D5 11		1.5			6 X Ø6.0 X 11	11.0	285	120	19.9	3.5				
PG1-4P1D6 11		1.6			6 X Ø6.0 X 11	11.5	285	127	21.2	3.8				

• Subject to change without any prior notice! / Soggetto a modifiche senza preavviso!



• Voltaggio / Voltage : 400 V

• Efficienza Vano / Shaft Efficiency : 0.85

Sospensione / Suspension : 2:1

• Avviamenti all'ora / Start Per Hour : 180 • Freno / Brake : 207 VDC

Carico Statico / Static Load : 3400 Kg

Codice Modello	Portata (kg)	Velocita' (m/s)	Peso Max Fune (kg)	Diametro Puleggia (mm)	Funi Puleggia (nxdxp) (mm)	Corrente (A)	Coppia (Nm)	Velocita' Nominale (rpm)	Frequenza (Hz)	Potenza (kW)	Poli	Categoria di Servizio	Classe di Isolamento	Codice IP
Model Code	Load (kg)	Lift Speed (m/s)	Max. Rope Weight (Kg)	Sheave Dia (mm)	Rope Sheave (mm)	Current (A)	Torque (Nm)	Rated Speed (rpm)	Frequency (Hz)	Power (kW)	Pole	Rating	INS. Class	IP Code
PG1-4P0A5	320	0.5	30	Ø120	5 X Ø6.0 X 11	3.0	70	159	26.5	1.2	20	S5 (40%)	F Class	IP40
PG1-4P0A8		0.8			5 X Ø6.0 X 11	4.0	70	254	42.5	1.9				
PG1-6P0A5	450	0.5	30	Ø120	6 X Ø6.0 X 11	4.5	96	159	26.5	1.6	20	S5 (40%)	F Class	IP40
PG1-6P0A8		0.8			6 X Ø6.0 X 11	5.8	96	254	42.5	2.6				
PG1-8P0A5	630	0.5	30	Ø120	7 X Ø6.0 X 11	6.8	130	159	26.5	2.2	20	S5 (40%)	F Class	IP40
PG1-8P0A8		0.8			7 X Ø6.0 X 11	7.5	130	254	42.5	3.5				
PG1-10P0A5	800	0.5	30	Ø120	8 X Ø6.0 X 11	8.5	165	159	26.5	2.8	20	S5 (40%)	F Class	IP40
PG1-10P0A8		0.8			8 X Ø6.0 X 11	9.8	165	254	42.5	4.4				
PG1-4P0B5	320	0.5	30	Ø160	5XØ6.5/Ø6X11	3.5	95	119	19.9	1.2	20	S5 (40%)	F Class	IP40
PG1-4P1B0		1.0			5XØ6.5/Ø6X11	5.6	95	239	39.8	2.4				
PG1-6P0B5	450	0.5	30	Ø160	6XØ6.5/Ø6X11	4.4	125	119	19.9	1.6	20	S5 (40%)	F Class	IP40
PG1-6P1B0		1.0			6XØ6.5/Ø6X11	7.0	125	239	39.8	3.2				
PG1-8P0B5	630	0.5	30	Ø160	7XØ6.5/Ø6X11	6.8	175	119	19.9	2.2	20	S5 (40%)	F Class	IP40
PG1-8P1B0		1.0			7XØ6.5/Ø6X11	9.5	175	239	39.8	4.4				
PG1-10P0B5	800	0.5	30	Ø160	8XØ6.5/Ø6X11	8.0	225	119	19.9	2.8	20	S5 (40%)	F Class	IP40
PG1-10P1B0		1.0			8XØ6.5/Ø6X11	12.5	225	239	39.8	5.6				
PG1-4P0C5	320	0.5	30	Ø200	5 X Ø6.5 X 11	4.0	110	96	15.9	1.1	20	S5 (40%)	F Class	IP40
PG1-4P1C0		1.0			5 X Ø6.5 X 11	6.0	110	191	31.8	2.3				
PG1-4P1C3		1.3			5 X Ø6.5 X 11	7.0	110	248	41.4	2.9				
PG1-6P0C5	450	0.5	30	Ø200	6 X Ø6.5 X 11	6.0	160	96	15.9	1.6	20	S5 (40%)	F Class	IP40
PG1-6P1C0		1.0			6 X Ø6.5 X 11	8.8	160	191	31.8	3.2				
PG1-6P1C3		1.3			6 X Ø6.5 X 11	9.6	160	248	41.4	4.2				
PG1-8P0C5	630	0.5	30	Ø200	7 X Ø6.5 X 11	7.8	220	96	15.9	2.2	20	S5 (40%)	F Class	IP40
PG1-8P1C0		1.0			7 X Ø6.5 X 11	11.9	220	191	31.8	4.4				
PG1-8P1C3		1.3			7 X Ø6.5 X 11	12.6	220	248	41.4	5.7				

• Subject to change without any prior notice! / Soggetto a modifiche senza preavviso!



• Tabella di scelta / Duty table

• Voltaggio / Voltage : 400 V • Efficienza Vano / Shaft Efficiency : 0.85

Sospensione / Suspension : 2:1

• Avviamenti all'ora / Start Per Hour : 180 • Freno / Brake : 207 VDC

Carico Statico / Static Load : 3400 Kg

Codice Modello	Portata (kg)	Velocita' (m/s)	Peso Max Fune (kg)	Diametro Puleggia (mm)	Funi Puleggia (nxdxp) (mm)	Corrente (A)	Coppia (Nm)	Velocita' Nominale (rpm)	Frequenza (Hz)	Potenza (kW)	Poli	Categoria di Servizio	Classe di Isolamento	Codice IP
Model Code	Load (kg)	Lift Speed (m/s)	Max. Rope Weight (Kg)	Sheave Dia (mm)	Rope Sheave (mm)	Current (A)	Torque (Nm)	Rated Speed (rpm)	Frequency (Hz)	Power (kW)	Pole	Rating	INS. Class	IP Code
PG1-10P0C5	800	0.5	30	Ø200	8 X Ø6.5 X 11	9.8	280	96	15.9	2.8	20	S5 (40%)	F Class	IP40
PG1-10P1C0		1.0			8 X Ø6.5 X 11	14.0	280	191	31.8	5.6				
PG1-10P1C3		1.3			8 X Ø6.5 X 11	16.0	280	248	41.4	7.3				

PG1-4P0D5	320	0.5	30	Ø240	5 X Ø6.5 X 11	4.2	125	80	13.3	1.1	20	S5 (40%)	F Class	IP40
PG1-4P1D0		1.0			5 X Ø6.5 X 11	6.5	125	159	26.5	2.1				
PG1-4P1D5		1.5			5 X Ø6.5 X 11	7.5	125	239	39.8	3.2				
PG1-4P1D6		1.6			5 X Ø6.5 X 11	8.2	125	254	42.5	3.4				

PG1-6P0D5	450	0.5	30	Ø240	6 X Ø6.5 X 11	6.0	177	80	13.3	1.5	20	S5 (40%)	F Class	IP40
PG1-6P1D0		1.0			6 X Ø6.5 X 11	9.1	177	159	26.5	3.0				
PG1-6P1D5		1.5			6 X Ø6.5 X 11	10.2	177	239	39.8	4.4				
PG1-6P1D6		1.6			6 X Ø6.5 X 11	10.8	177	254	42.5	4.8				

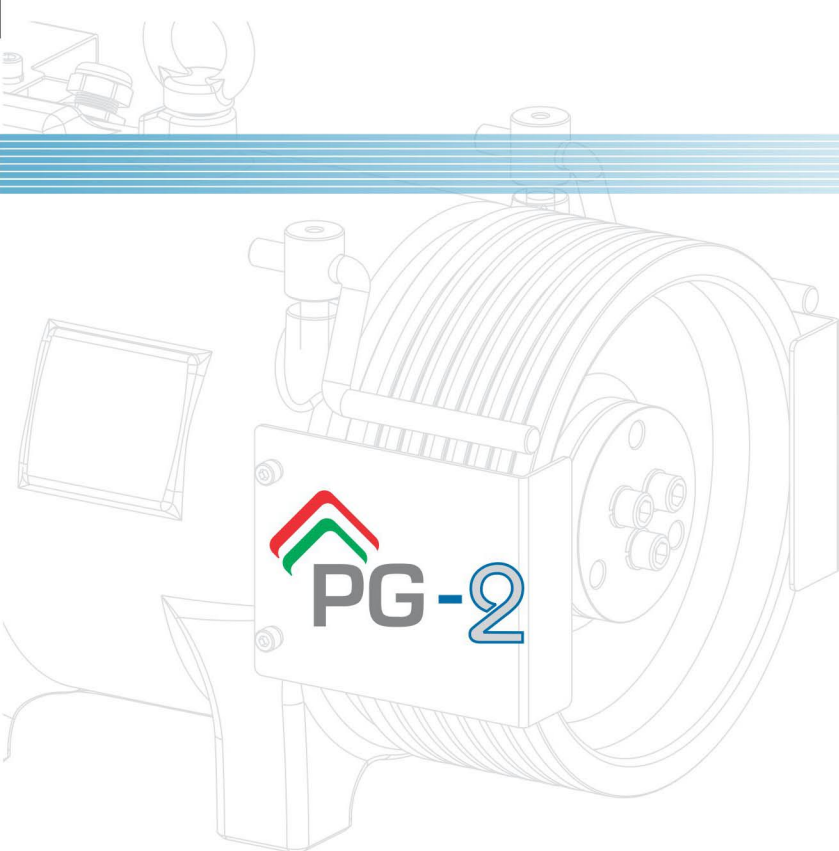
PG1-8P0D5	630	0.5	30	Ø240	7 X Ø6.5 X 11	8.5	245	80	13.3	2.0	20	S5 (40%)	F Class	IP40
PG1-8P1D0		1.0			7 X Ø6.5 X 11	12.5	245	159	26.5	4.1				
PG1-8P1D5		1.5			7 X Ø6.5 X 11	13.2	245	239	39.8	6.2				
PG1-8P1D6		1.6			7 X Ø6.5 X 11	13.8	245	254	42.5	6.7				

PG1-4P0E5	320	0.5	30	Ø320	3 X Ø8.0 X 12	6.5	200	60	10.0	1.3	20	S5 (40%)	F Class	IP40
PG1-4P1E0		1.0			3 X Ø8.0 X 12	7.2	200	119	19.9	2.5				
PG1-4P1E5		1.5			3 X Ø8.0 X 12	11.0	200	179	29.8	3.7				
PG1-4P1E6		1.6			3 X Ø8.0 X 12	11.8	200	191	31.8	4.0				
PG1-4P2E0		2.0			4 X Ø8.0 X 12	12.4	200	238	39.8	5.0				

PG1-6P0E5	450	0.5	30	Ø320	4 X Ø8.0 X 12	9.2	260	60	10.0	1.7	20	S5 (40%)	F Class	IP40
PG1-6P1E0		1.0			4 X Ø8.0 X 12	9.6	260	119	19.9	3.3				
PG1-6P1E5		1.5			4 X Ø8.0 X 12	13.2	260	179	29.8	4.9				
PG1-6P1E6		1.6			4 X Ø8.0 X 12	14.0	260	191	31.8	5.2				
PG1-6P2E0		2.0			4 X Ø8.0 X 12	14.5	260	238	39.8	6.5				

• Subject to change without any prior notice! / Soggetto a modifiche senza preavviso!





Carico Statico  
Static Load 1700 / 3400 Kg

Sospensione  
Suspension 1:1 / 2:1

Voltaggio  
Voltage 400 V

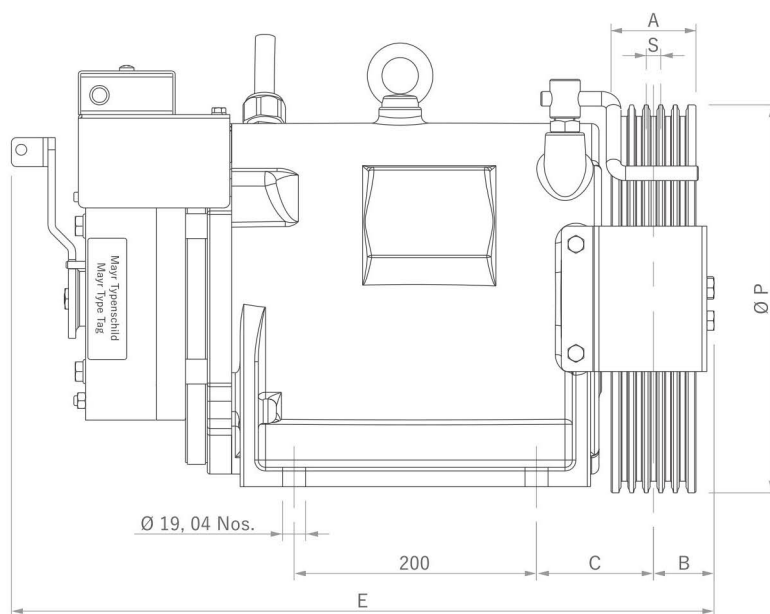
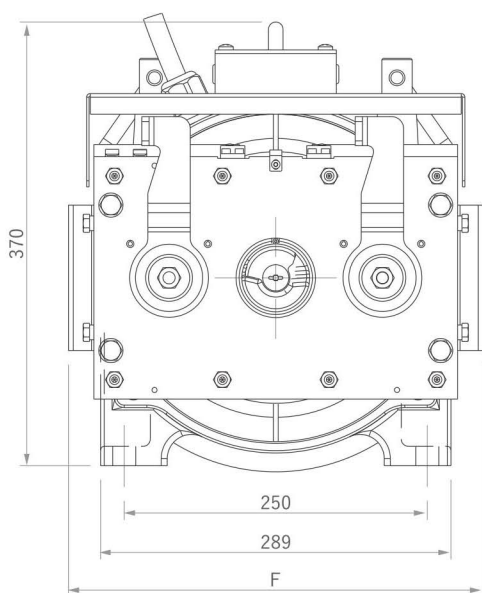
Freno  
Brake 207 VDC

Peso  
Weight 176\* Kg

\*Weight of machine is varies according to selection of sheave and motor.  
\*il peso della macchina varia in base alla scelta della puleggia e del motore.



ØP	A	B	C	N X ØD	E	F	S
Ø200	97	59	110	8 X Ø6	605	320	11
Ø200	108	64	115.5	9 X Ø6	625	320	12
Ø240	97	59	110	6/7/8 X Ø6.5	605	320	11
Ø320	70	56	90.5	4/5 X Ø8	580	345	12



All dimensions are in mm.  
Tutte le grandezze sono espresse in mm.



• Tabella di scelta / Duty table

• Voltaggio / Voltage : 400 V • Efficienza Vano / Shaft Efficiency : 0.85

Sospensione / Suspension : 1:1

• Avviamenti all'ora / Start Per Hour : 180 • Freno / Brake : 207 VDC

Carico Statico / Static Load : 1700 Kg

Codice Modello	Portata (kg)	Velocita' (m/s)	Peso Max Fune (kg)	Diametro Puleggia (mm)	Funi Puleggia (nxdxp) (mm)	Corrente (A)	Coppia (Nm)	Velocita' Nominale (rpm)	Frequenza (Hz)	Potenza (kW)	Poli	Categoria di Servizio	Classe di Isolamento	Codice IP
Model Code	Load (kg)	Lift Speed (m/s)	Max. Rope Weight (Kg)	Sheave Dia (mm)	Rope Sheave (mm)	Current (A)	Torque (Nm)	Rated Speed (rpm)	Frequency (Hz)	Power (kW)	Pole	Rating	INS. Class	IP Code
PG2-6P0A511	450	0.5	30	Ø200	8 X Ø6.0 X 11	10.8	330	48	8.0	1.7	20	S5 (40%)	F Class	IP40
PG2-6P1A011		1.0			8 X Ø6.0 X 11	11.8	330	96	15.9	3.3				
PG2-6P1A511		1.5			8 X Ø6.0 X 11	16.0	330	143	23.8	5.0				
PG2-6P1A611		1.6			8 X Ø6.0 X 11	16.0	330	153	25.5	5.3				

PG2-7P0A511	525	0.5	30	Ø200	9 X Ø6.0 X 11	12.0	380	48	8.0	1.9	20	S5 (40%)	F Class	IP40
PG2-7P1A011		1.0			9 X Ø6.0 X 11	13.8	380	96	15.9	3.8				
PG2-7P1A511		1.5			9 X Ø6.0 X 11	19.0	380	143	23.8	5.8				
PG2-7P1A611		1.6			9 X Ø6.0 X 11	19.0	380	153	25.5	6.1				

PG2-5P0B511	375	0.5	30	Ø240	6 X Ø6.5 X 11	10.8	330	40	6.6	1.4	20	S5 (40%)	F Class	IP40
PG2-5P1B011		1.0			6 X Ø6.5 X 11	11.8	330	80	13.3	2.8				
PG2-5P1B511		1.5			6 X Ø6.5 X 11	12.8	330	120	19.9	4.2				
PG2-5P1B611		1.6			6 X Ø6.5 X 11	13.0	330	127	21.2	4.4				

PG2-6P0B511	450	0.5	30	Ø240	7 X Ø6.5 X 11	12.0	390	40	6.6	1.6	20	S5 (40%)	F Class	IP40
PG2-6P1B011		1.0			7 X Ø6.5 X 11	14.0	390	80	13.3	3.3				
PG2-6P1B511		1.5			7 X Ø6.5 X 11	14.8	390	120	19.9	4.9				
PG2-6P1B611		1.6			7 X Ø6.5 X 11	15.0	390	127	21.2	5.2				

PG2-3P0C6511	225	0.65	30	Ø320	4 X Ø8.0 X 12	9.8	280	39	6.5	1.2	20	S5 (40%)	F Class	IP40
PG2-3P1C011		1.0			4 X Ø8.0 X 12	10.4	280	60	10.0	1.8				
PG2-3P1C511		1.5			4 X Ø8.0 X 12	10.8	280	90	14.9	2.6				
PG2-3P1C611		1.6			4 X Ø8.0 X 12	11.0	280	96	15.9	2.8				

PG2-4P0C6511	300	0.65	30	Ø320	5 X Ø8.0 X 12	11.2	360	39	6.5	1.5	20	S5 (40%)	F Class	IP40
PG2-4P1C011		1.0			5 X Ø8.0 X 12	11.8	360	60	10.0	2.2				
PG2-4P1C511		1.5			5 X Ø8.0 X 12	12.5	360	90	14.9	3.3				
PG2-4P1C611		1.6			5 X Ø8.0 X 12	12.5	360	96	15.9	3.6				

• Subject to change without any prior notice! / Soggetto a modifiche senza preavviso!

• Tabella di scelta / Duty table

• Voltaggio / Voltage : 400 V

• Efficienza Vano / Shaft Efficiency : 0.85

Sospensione / Suspension : 2:1

• Avviamenti all'ora / Start Per Hour : 180 • Freno / Brake : 207 VDC

Carico Statico / Static Load : 3400 Kg

Codice Modello	Portata (kg)	Velocita' (m/s)	Peso Max Fune (kg)	Diametro Puleggia (mm)	Funi Puleggia (nxdxp) (mm)	Corrente (A)	Coppia (Nm)	Velocita' Nominale (rpm)	Frequenza (Hz)	Potenza (kW)	Poli	Categoria di Servizio	Classe di Isolamento	Codice IP
Model Code	Load (kg)	Lift Speed (m/s)	Max. Rope Weight (Kg)	Sheave Dia (mm)	Rope Sheave (mm)	Current (A)	Torque (Nm)	Rated Speed (rpm)	Frequency (Hz)	Power (kW)	Pole	Rating	INS. Class	IP Code
PG2-10P0A5	800	0.5	30	Ø240	8 x Ø6.5 X 11	10.2	315	80	13.3	2.7	20	S5 (40%)	F Class	IP40
PG2-10P1A0		1.0			8 x Ø6.5 X 11	15.2	315	159	26.5	5.2				
PG2-10P1A5		1.5			8 x Ø6.5 X 11	19.0	315	239	39.8	7.9				
PG2-10P1A6		1.6			8 x Ø6.5 X 11	21.0	315	254	42.5	8.4				

PG2-8P0B5	630	0.5	30	Ø320	5 x Ø8.0 X 12	11.5	360	60	10.0	2.3	20	S5 (40%)	F Class	IP40
PG2-8P1B0		1.0			5 x Ø8.0 X 12	12.5	360	119	19.9	4.5				
PG2-8P1B5		1.5			5 x Ø8.0 X 12	19.0	360	179	29.8	6.7				
PG2-8P1B6		1.6			5 x Ø8.0 X 12	21.0	360	191	31.8	7.1				
PG2-8P2B0		2.0			5 x Ø8.0 X 12	22.0	360	238	39.8	9.0				

• Subject to change without any prior notice! / Soggetto a modifiche senza preavviso!





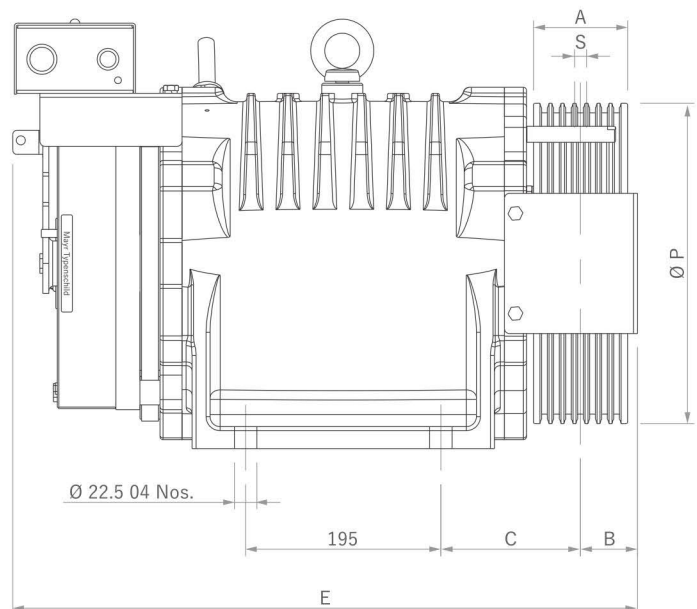
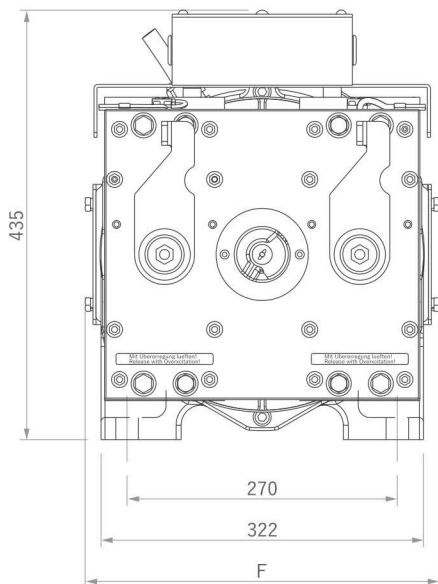
**PG-3**



Carico Statico Static Load	2400 / 4800 Kg
Sospensione Suspension	1:1 / 2:1
Voltaggio Voltage	400 V
Freno Brake	104 VDC
Peso Weight	254* Kg

\*Weight of machine is varies according to selection of sheave and motor.  
\*il peso della macchina varia in base alla scelta della puleggia e del motore.

ØP	A	B	C	N X ØD	E	F	S
Ø200	119	68	152	9/10 X Ø 6	650	355	11
Ø240				9/10/ X Ø 6.5			
Ø240	97	58	140	8 X Ø 6.5	630	355	11
Ø320	106	63	145.5	6/7 X Ø8	640	355	12



All dimensions are in mm.  
Tutte le grandezze sono espresse in mm.



• Tabella di scelta / Duty table

• Voltaggio / Voltage : 400 V	• Efficienza Vano / Shaft Efficiency : 0.85	<b>Sospensione / Suspension : 1:1</b>
• Avviamenti all'ora / Start Per Hour : 180	• Freno / Brake : 104 VDC	<b>Carico Statico / Static Load : 2400 Kg</b>

Codice Modello	Portata (kg)	Velocita' (m/s)	Peso Max Fune (kg)	Diametro Puleggia (mm)	Funi Puleggia (nxdxp) (mm)	Corrente (A)	Coppia (Nm)	Velocita' Nominale (rpm)	Frequenza (Hz)	Potenza (kW)	Poli	Categoria di Servizio	Classe di Isolamento	Codice IP
Model Code	Load (kg)	Lift Speed (m/s)	Max. Rope Weight (Kg)	Sheave Dia (mm)	Rope Sheave (mm)	Current (A)	Torque (Nm)	Rated Speed (rpm)	Frequency (Hz)	Power (kW)	Pole	Rating	INS. Class	IP Code
PG3-8P0A511	630	0.5	30	Ø200	9 x Ø6.0 X 11	13.2	450	48	9.6	2.2	24	S5 (40%)	F Class	IP40
PG3-8P1A011		1.0			9 x Ø6.0 X 11	17.0	450	96	19.1	4.5				
PG3-8P1A511		1.5			9 x Ø6.0 X 11	19.5	450	143	28.7	6.7				
PG3-8P1A611		1.6			9 x Ø6.0 X 11	19.8	450	153	30.6	7.2				
PG3-9P0A511	750	0.5	30	Ø200	10 x Ø6.0 X 11	15.6	520	48	9.6	2.6	24	S5 (40%)	F Class	IP40
PG3-9P1A011		1.0			10 x Ø6.0 X 11	19.8	520	96	19.1	5.3				
PG3-9P1A511		1.5			10 x Ø6.0 X 11	23.0	520	143	28.7	7.9				
PG3-9P1A611		1.6			10 x Ø6.0 X 11	23.5	520	153	30.6	8.5				
PG3-10P0A511	800	0.5	30	Ø200	10 x Ø6.0 X 11	18.0	560	48	9.6	2.8	24	S5 (40%)	F Class	IP40
PG3-10P1A011		1.0			10 x Ø6.0 X 11	22.0	560	96	19.1	5.6				
PG3-10P1A511		1.5			10 x Ø6.0 X 11	26.0	560	143	28.7	8.4				
PG3-10P1A611		1.6			10 x Ø6.0 X 11	26.5	560	153	30.6	9.0				
PG3-7P0B511	525	0.5	30	Ø240	8 x Ø6.5 X 11	13.2	450	40	8.0	1.9	24	S5 (40%)	F Class	IP40
PG3-7P1B011		1.0			8 x Ø6.5 X 11	17.0	450	80	16.0	3.8				
PG3-7P1B511		1.5			8 x Ø6.5 X 11	19.0	450	120	23.8	5.7				
PG3-7P1B611		1.6			8 x Ø6.5 X 11	19.0	450	127	25.5	6.0				
PG3-8P0B511	630	0.5	30	Ø240	9 x Ø6.5 X 11	15.6	530	40	8.0	2.3	24	S5 (40%)	F Class	IP40
PG3-8P1B011		1.0			9 x Ø6.5 X 11	19.5	530	80	16.0	4.5				
PG3-8P1B511		1.5			9 x Ø6.5 X 11	22.0	530	120	23.8	6.7				
PG3-8P1B611		1.6			9 x Ø6.5 X 11	22.0	530	127	25.5	7.1				
PG3-6P0C6511	450	0.65	30	Ø320	6 x Ø8.0 X 12	15.0	500	39	7.8	2.0	24	S5 (40%)	F Class	IP40
PG3-6P1C011		1.0			6 x Ø8.0 X 12	18.0	500	60	12.0	3.2				
PG3-6P1C511		1.5			6 x Ø8.0 X 12	19.0	500	90	18.0	4.7				
PG3-6P1C611		1.6			6 x Ø8.0 X 12	19.0	500	96	19.1	5.0				
PG3-7P0C6511	500	0.65	30	Ø320	7 x Ø8.0 X 12	18.0	560	39	7.8	2.3	24	S5 (40%)	F Class	IP40
PG3-7P1C011		1.0			7 x Ø8.0 X 12	20.8	560	60	12.0	3.5				
PG3-7P1C511		1.5			7 x Ø8.0 X 12	21.6	560	90	18.0	5.2				
PG3-7P1C611		1.6			7 x Ø8.0 X 12	21.6	560	96	19.1	5.6				

• Subject to change without any prior notice! / Soggetto a modifiche senza preavviso!



• Tabella di scelta / Duty table

• Voltaggio / Voltage : 400 V	• Efficienza Vano / Shaft Efficiency : 0.85	<b>Sospensione / Suspension : 2:1</b>
• Avviamenti all'ora / Start Per Hour : 180	• Freno / Brake : 104 VDC	<b>Carico Statico / Static Load : 4800 Kg</b>

Codice Modello	Portata (kg)	Velocita' (m/s)	Peso Max Fune (kg)	Diametro Puleggia (mm)	Funi Puleggia (nxdxp) (mm)	Corrente (A)	Coppia (Nm)	Velocita' Nominale (rpm)	Frequenza (Hz)	Potenza (kW)	Poli	Categoria di Servizio	Classe di Isolamento	Codice IP
Model Code	Load (kg)	Lift Speed (m/s)	Max. Rope Weight (Kg)	Sheave Dia (mm)	Rope Sheave (mm)	Current (A)	Torque (Nm)	Rated Speed (rpm)	Frequency (Hz)	Power (kW)	Pole	Rating	INS. Class	IP Code
PG3-13P0A5	1000	0.5	35	Ø240	10 x Ø6.5 X 11	13.5	390	80	16.0	3.3	24	S5 (40%)	F Class	IP40
PG3-13P1A0		1.0			10 x Ø6.5 X 11	20.0	390	159	31.8	6.5				
PG3-13P1A5		1.5			10 x Ø6.5 X 11	23.0	390	239	47.7	9.8				
PG3-13P1A6		1.6			10 x Ø6.5 X 11	25.0	390	254	50.9	10.5				

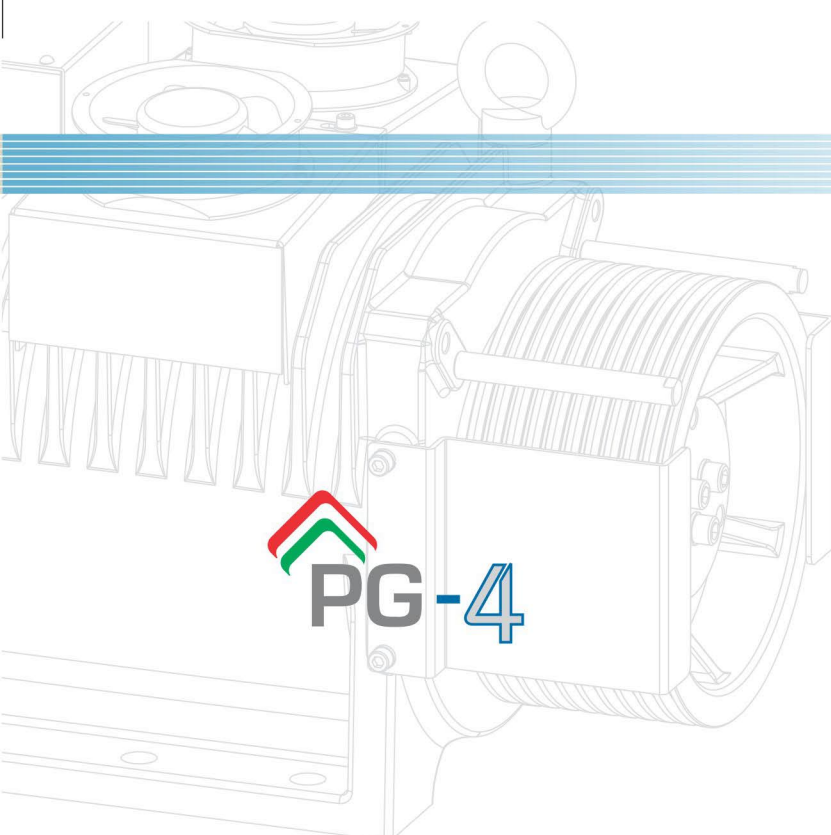
PG3-16P0A5	1250	0.5	35	Ø240	10 x Ø6.5 X 11	19.0	500	80	16.0	4.2	24	S5 (40%)	F Class	IP40
PG3-16P1A0		1.0			10 x Ø6.5 X 11	26.0	500	159	31.8	8.4				
PG3-16P1A5		1.5			10 x Ø6.5 X 11	29.5	500	239	47.7	12.5				

PG3-10P0B5	800	0.5	35	Ø320	6 x Ø8.0 X 12	16.0	450	60	12.0	2.8	24	S5 (40%)	F Class	IP40
PG3-10P1B0		1.0			6 x Ø8.0 X 12	17.5	450	119	23.8	5.6				
PG3-10P1B5		1.5			6 x Ø8.0 X 12	23.5	450	179	35.8	8.5				
PG3-10P1B6		1.6			6 x Ø8.0 X 12	26.0	450	191	38.2	9.0				
PG3-10P2B0		2.0			6 x Ø8.0 X 12	28.5	450	238	47.7	11.2				

PG3-13P0B5	1000	0.5	35	Ø320	7 x Ø8.0 X 12	21.0	550	60	12.0	3.5	24	S5 (40%)	F Class	IP40
PG3-13P1B0		1.0			7 x Ø8.0 X 12	23.0	550	119	23.8	6.9				
PG3-13P1B5		1.5			7 x Ø8.0 X 12	29.0	550	179	35.8	10.4				
PG3-13P1B6		1.6			7 x Ø8.0 X 12	30.0	550	191	38.2	11.3				

• Subject to change without any prior notice! / Soggetto a modifiche senza preavviso!





 **PG-4**

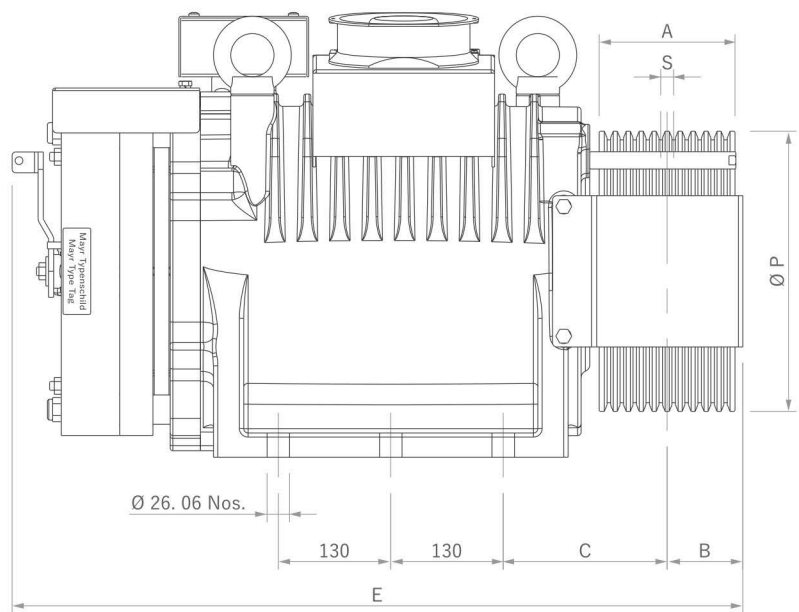
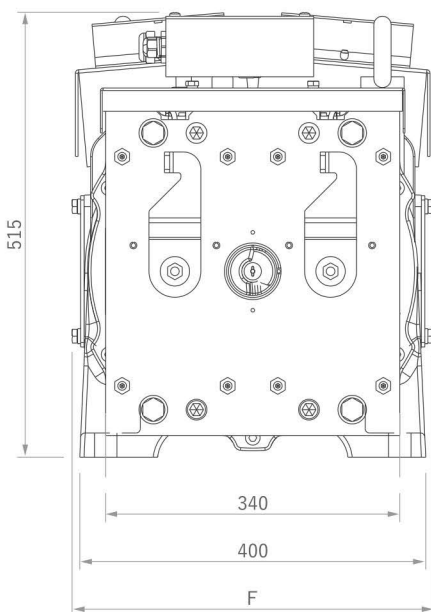


Carico Statico Static Load	3500 / 7000 Kg
Sospensione Suspension	1:1 / 2:1
Voltaggio Voltage	400 V
Freno Brake	104 VDC
Peso Weight	508* Kg

\*Weight of machine is varies according to selection of sheave and motor.  
\*il peso della macchina varia in base alla scelta della puleggia e del motore.



ØP	A	B	C	N X ØD	E	F	S
Ø320	157	88	189.5	8 / 9 / 10 X Ø8	845	420	12
Ø400	145	83	183.5	4 / 5 / 6 / 7 / 8 X Ø10	835	420	16



All dimensions are in mm.  
Tutte le grandezze sono espresse in mm.



• Tabella di scelta / Duty table

• Voltaggio / Voltage : 400 V	• Efficienza Vano / Shaft Efficiency : 0.85	<b>Sospensione / Suspension : 1:1</b>
• Avviamenti all'ora / Start Per Hour : 180	• Freno / Brake : 104 VDC	<b>Carico Statico / Static Load : 3500 Kg</b>

Codice Modello	Portata (kg)	Velocita' (m/s)	Peso Max Funne (kg)	Diametro Puleggia (mm)	Funi Puleggia (nxdxp) (mm)	Corrente (A)	Coppia (Nm)	Velocita' Nominale (rpm)	Frequenza (Hz)	Potenza (kW)	Poli	Categoria di Servizio	Classe di Isolamento	Codice IP
Model Code	Load (kg)	Lift Speed (m/s)	Max. Rope Weight (Kg)	Sheave Dia (mm)	Rope Sheave (mm)	Current (A)	Torque (Nm)	Rated Speed (rpm)	Frequency (Hz)	Power (kW)	Pole	Rating	INS. Class	IP Code
PG4-8P0A6511	630	0.65	50	Ø320	8 x Ø8.0 X 12	21.0	700	39	7.8	2.9	24	S5 (40%)	F Class	IP40
PG4-8P1A011		1.0			8 x Ø8.0 X 12	21.0	700	60	12.0	4.4				
PG4-8P1A511		1.5			8 x Ø8.0 X 12	22.0	700	90	18.0	6.6				
PG4-8P1A7511		1.75			9 x Ø8.0 X 12	22.0	700	105	20.9	7.7				
PG4-8P2A011		2.0			9 x Ø8.0 X 12	23.0	700	120	23.8	8.8				

PG4-9P0A6511	750	0.65	50	Ø320	9 x Ø8.0 X 12	24.0	820	39	7.8	3.4	24	S5 (40%)	F Class	IP40
PG4-9P1A011		1.0			9 x Ø8.0 X 12	24.0	820	60	12.0	5.2				
PG4-9P1A511		1.5			9 x Ø8.0 X 12	26.0	820	90	18.0	7.7				
PG4-9P1A7511		1.75			10 x Ø8.0 X 12	26.0	820	105	20.9	9.0				
PG4-9P2A011		2.0			10 x Ø8.0 X 12	27.0	820	120	23.8	10.3				

PG4-10P0A6511	800	0.65	50	Ø320	10 x Ø8.0 X 12	25.2	880	39	7.8	3.6	24	S5 (40%)	F Class	IP40
PG4-10P1A011		1.0			10 x Ø8.0 X 12	25.2	880	60	12.0	5.5				
PG4-10P1A511		1.5			10 x Ø8.0 X 12	28.0	880	90	18.0	8.3				
PG4-10P1A7511		1.75			10 x Ø8.0 X 12	28.0	880	105	20.9	9.6				
PG4-10P2A011		2.0			10 x Ø8.0 X 12	29.5	880	120	23.8	11.0				

PG4-11P0A6511	900	0.65	50	Ø320	10 x Ø8.0 X 12	27.8	980	39	7.8	4.0	24	S5 (40%)	F Class	IP40
PG4-11P1A011		1.0			10 x Ø8.0 X 12	27.8	980	60	12.0	6.2				
PG4-11P1A511		1.5			10 x Ø8.0 X 12	31.5	980	90	18.0	9.2				
PG4-11P1A7511		1.75			10 x Ø8.0 X 12	31.5	980	105	20.9	10.8				
PG4-11P2A011		2.0			10 x Ø8.0 X 12	34.0	980	120	23.8	12.3				

• Subject to change without any prior notice! / Soggetto a modifiche senza preavviso!



• Tabella di scelta / Duty table

• Voltaggio / Voltage : 400 V	• Efficienza Vano / Shaft Efficiency : 0.85	<b>Sospensione / Suspension : 1:1</b>
• Avviamenti all'ora / Start Per Hour : 180	• Freno / Brake : 104 VDC	<b>Carico Statico / Static Load : 3500 Kg</b>

Codice Modello	Portata (kg)	Velocita' (m/s)	Peso Max Fune (kg)	Diametro Puleggia (mm)	Funi Puleggia (nxdp) (mm)	Corrente (A)	Coppia (Nm)	Velocita' Nominale (rpm)	Frequenza (Hz)	Potenza (kW)	Poli	Categoria di Servizio	Classe di Isolamento	Codice IP
Model Code	Load (kg)	Lift Speed (m/s)	Max. Rope Weight (Kg)	Sheave Dia (mm)	Rope Sheave (mm)	Current (A)	Torque (Nm)	Rated Speed (rpm)	Frequency (Hz)	Power (kW)	Pole	Rating	INS. Class	IP Code
PG4-6P0B6511	450	0.65	50	Ø400	4 x Ø10.0 X 16	20.0	670	31	6.2	2.2	24	S5 (40%)	F Class	IP40
PG4-6P1B011		1.0			4 x Ø10.0 X 16	20.0	670	48	9.6	3.3				
PG4-6P1B511		1.5			5 x Ø10.0 X 16	21.0	670	72	14.4	5.0				
PG4-6P1B7511		1.75			5 x Ø10.0 X 16	21.0	670	84	16.7	5.8				
PG4-6P2B011		2.0			5 x Ø10.0 X 16	22.0	670	96	19.1	6.7				
PG4-6P2B511		2.5			5 x Ø10.0 X 16	22.0	670	120	23.8	8.3				

PG4-7P0B6511	525	0.65	50	Ø400	5 x Ø10.0 X 16	22.0	765	31	6.2	2.2	24	S5 (40%)	F Class	IP40
PG4-7P1B011		1.0			5 x Ø10.0 X 16	22.0	765	48	9.6	3.3				
PG4-7P1B511		1.5			6 x Ø10.0 X 16	23.0	765	72	14.4	5.0				
PG4-7P1B7511		1.75			6 x Ø10.0 X 16	23.0	765	84	16.7	5.8				
PG4-7P2B011		2.0			6 x Ø10.0 X 16	25.0	765	96	19.1	6.7				
PG4-7P2B511		2.5			6 x Ø10.0 X 16	25.0	765	120	23.8	8.3				

PG4-8P0B6511	630	0.65	50	Ø400	6 x Ø10.0 X 16	26.5	900	31	6.2	2.2	24	S5 (40%)	F Class	IP40
PG4-8P1B011		1.0			6 x Ø10.0 X 16	26.5	900	48	9.6	3.3				
PG4-8P1B511		1.5			7 x Ø10.0 X 16	27.5	900	72	14.4	5.0				
PG4-8P1B7511		1.75			7 x Ø10.0 X 16	27.5	900	84	16.7	5.8				
PG4-8P2B011		2.0			7 x Ø10.0 X 16	29.0	900	96	19.1	6.7				
PG4-8P2B511		2.5			7 x Ø10.0 X 16	32.0	900	120	23.8	8.3				

PG4-9P0B6511	750	0.65	50	Ø400	7 x Ø10.0 X 16	29.0	1030	31	6.2	3.4	24	S5 (40%)	F Class	IP40
PG4-9P1B011		1.0			7 x Ø10.0 X 16	29.0	1030	48	9.6	5.2				
PG4-9P1B511		1.5			8 x Ø10.0 X 16	32.0	1030	72	14.4	7.8				
PG4-9P1B7511		1.75			8 x Ø10.0 X 16	32.0	1030	84	16.7	9.0				
PG4-9P2B011		2.0			8 x Ø10.0 X 16	35.0	1030	96	19.1	10.3				
PG4-9P2B511		2.5			8 x Ø10.0 X 16	38.5	1030	120	23.8	12.9				

• Subject to change without any prior notice! / Soggetto a modifiche senza preavviso!





• Tabella di scelta / Duty table

• Voltaggio / Voltage : 400 V	• Efficienza Vano / Shaft Efficiency : 0.85	<b>Sospensione / Suspension : 2:1</b>
• Avviamenti all'ora / Start Per Hour : 180	• Freno / Brake : 104 VDC	<b>Carico Statico / Static Load : 7000 Kg</b>

Codice Modello	Portata (kg)	Velocita' (m/s)	Peso Max Fune (kg)	Diametro Puleggia (mm)	Funi Puleggia (nxdxp) (mm)	Corrente (A)	Coppia (Nm)	Velocita' Nominale (rpm)	Frequenza (Hz)	Potenza (kW)	Poli	Categoria di Servizio	Classe di Isolamento	Codice IP
Model Code	Load (kg)	Lift Speed (m/s)	Max. Rope Weight (Kg)	Sheave Dia (mm)	Rope Sheave (mm)	Current (A)	Torque (Nm)	Rated Speed (rpm)	Frequency (Hz)	Power (kW)	Pole	Rating	INS. Class	IP Code
PG4-15P0A5	1125	0.50	50	Ø320	8 x Ø8.0 X 12	19.8	630	60	12	3.9	24	S5 (40%)	F Class	IP40
PG4-15P1A0		1.00			8 x Ø8.0 X 12	23.0	630	119	23.8	7.8				
PG4-15P1A5		1.50			8 x Ø8.0 X 12	28.0	630	179	35.8	11.7				
PG4-15P2A0		2.00			9 x Ø8.0 X 12	34.0	630	238	47.7	15.8				

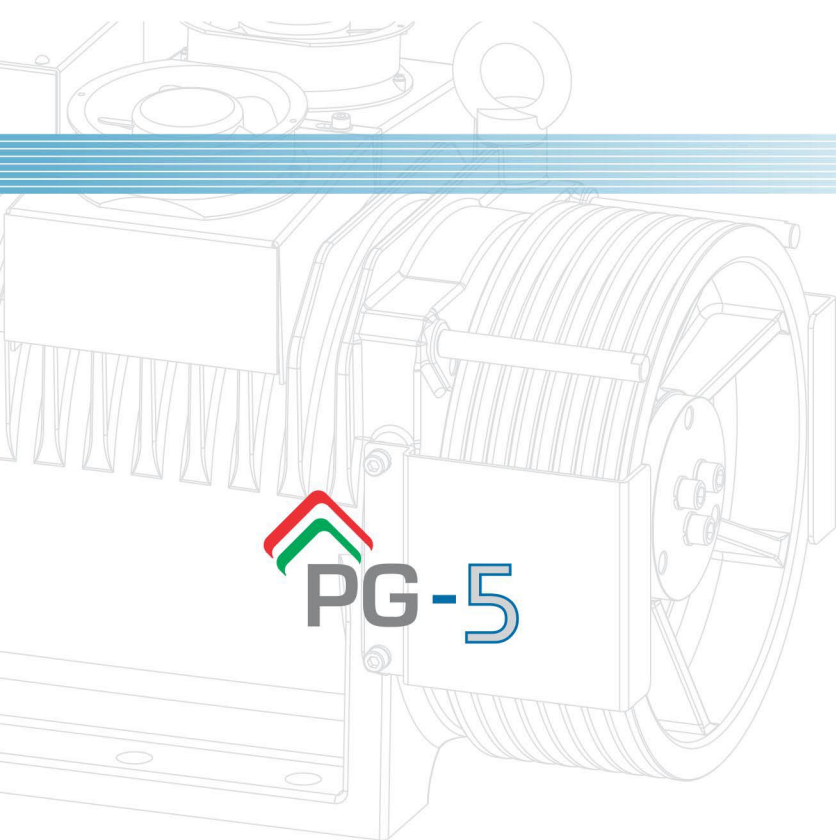
PG4-16P0A5	1250	0.50	50	Ø320	8 x Ø8.0 X 12	21.0	680	60	12	4.3	24	S5 (40%)	F Class	IP40
PG4-16P1A0		1.00			8 x Ø8.0 X 12	25.0	680	119	23.8	8.5				
PG4-16P1A5		1.50			8 x Ø8.0 X 12	29.5	680	179	35.8	12.7				
PG4-16P2A0		2.00			9 x Ø8.0 X 12	36.0	680	238	47.7	17.0				

PG4-21P0A5	1600	0.50	50	Ø320	10 x Ø8.0 X 12	24.0	860	60	12	5.4	24	S5 (40%)	F Class	IP40
PG4-21P1A0		1.00			10 x Ø8.0 X 12	31.0	860	119	23.8	10.8				
PG4-21P1A5		1.50			10 x Ø8.0 X 12	34.0	860	179	35.8	16.1				
PG4-21P1A6		1.60			10 x Ø8.0 X 12	39.5	860	191	38.2	17.2				

PG4-16P1B0	1250	1.00	50	Ø400	7 x Ø10.0 X 16	25.5	850	96	19.1	8.5	24	S5 (40%)	F Class	IP40
PG4-16P1B5		1.50			7 x Ø10.0 X 16	31.8	850	143	28.6	12.7				
PG4-16P2B0		2.00			7 x Ø10.0 X 16	38.0	850	191	38.2	16.9				

PG4-20P1B0	1500	1.00	50	Ø400	8 x Ø10.0 X 16	33.0	1030	96	19.1	10.1	24	S5 (40%)	F Class	IP40
PG4-20P1B5		1.50			8 x Ø10.0 X 16	37.0	1030	143	28.6	15.3				
PG4-20P1B75		1.75			8 x Ø10.0 X 16	39.5	1030	167	33.4	17.6				

• Subject to change without any prior notice! / Soggetto a modifiche senza preavviso!




**PG-5**

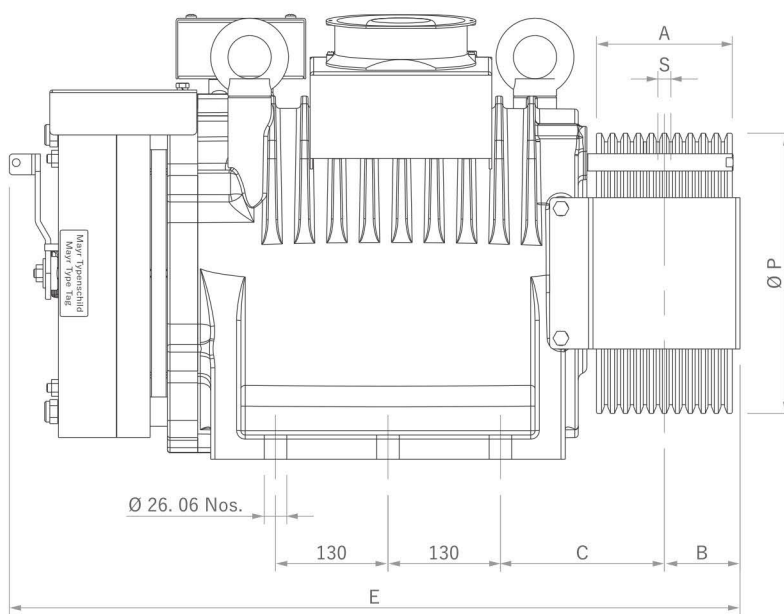
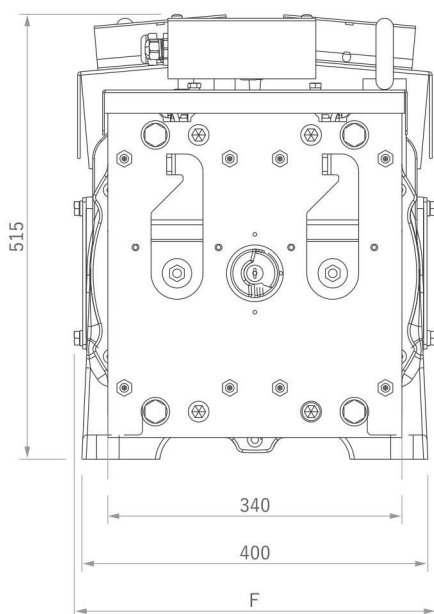


Carico Statico Static Load	3500 / 7000 Kg
Sospensione Suspension	1:1 / 2:1
Voltaggio Voltage	400 V
Freno Brake	104 VDC
Peso Weight	545* Kg

\*Weight of machine is varies according to selection of sheave and motor.  
\*il peso della macchina varia in base alla scelta della puleggia e del motore.



ØP	A	B	C	N X ØD	E	F	S
Ø320	157	88	189.5	10 / 11 X Ø8	845	420	12
Ø400	145	83	183.5	7 / 8 X Ø10	835	420	16



All dimensions are in mm.  
Tutte le grandezze sono espresse in mm.



• Tabella di scelta / Duty table

• Voltaggio / Voltage : 400 V	• Efficienza Vano / Shaft Efficiency : 0.85	<b>Sospensione / Suspension : 1:1</b>
• Avviamenti all'ora / Start Per Hour : 180	• Freno / Brake : 104 VDC	<b>Carico Statico / Static Load : 3500 Kg</b>

Codice Modello	Portata (kg)	Velocita' (m/s)	Peso Max Fune (kg)	Diametro Puleggia (mm)	Funi Puleggia (nxdxp) (mm)	Corrente (A)	Coppia (Nm)	Velocita' Nominale (rpm)	Frequenza (Hz)	Potenza (kW)	Poli	Categoria di Servizio	Classe di Isolamento	Codice IP
Model Code	Load (kg)	Lift Speed (m/s)	Max. Rope Weight (Kg)	Sheave Dia (mm)	Rope Sheave (mm)	Current (A)	Torque (Nm)	Rated Speed (rpm)	Frequency (Hz)	Power (kW)	Pole	Rating	INS. Class	IP Code
PG5-12P0A6511	1000	0.65	50	Ø320	10 x Ø8.0 X 12	31.0	1090	39	7.8	4.4	24	S5 (40%)	F Class	IP40
PG5-12P1A011		1.0			10 x Ø8.0 X 12	31.0	1090	60	12.0	6.8				
PG5-12P1A511		1.5			10 x Ø8.0 X 12	35.0	1090	90	18.0	10.2				
PG5-12P1A7511		1.75			10 x Ø8.0 X 12	38.0	1090	105	20.9	11.9				
PG5-12P2A011		2.0			10 x Ø8.0 X 12	38.0	1090	120	23.8	13.6				

PG5-10P0B6511	800	0.65	50	Ø400	7 x Ø10.0 X 16	31.0	1100	31	6.2	3.6	24	S5 (40%)	F Class	IP40
PG5-10P1B011		1.0			7 x Ø10.0 X 16	31.0	1100	48	9.6	5.5				
PG5-10P1B511		1.5			8 x Ø10.0 X 16	32.0	1100	72	14.4	8.2				
PG5-10P1B7511		1.75			8 x Ø10.0 X 16	35.0	1100	84	16.7	9.6				
PG5-10P2B011		2.0			8 x Ø10.0 X 16	39.0	1100	96	19.1	11.0				
PG5-10P2B511		2.5			8 x Ø10.0 X 16	39.0	1100	120	23.8	13.7				

PG5-12P0B6511	1000	0.65	50	Ø400	8 x Ø10.0 X 16	36.0	1350	31	6.2	4.4	24	S5 (40%)	F Class	IP40
PG5-12P1B011		1.0			8 x Ø10.0 X 16	36.0	1350	48	9.6	6.8				
PG5-12P1B511		1.5			8 x Ø10.0 X 16	38.0	1350	72	14.4	10.2				
PG5-12P1B7511		1.75			8 x Ø10.0 X 16	41.0	1350	84	16.7	11.9				
PG5-12P2B011		2.0			8 x Ø10.0 X 16	44.0	1350	96	19.1	13.6				
PG5-12P2B511		2.5			8 x Ø10.0 X 16	46.0	1350	120	23.8	17.0				

• Subject to change without any prior notice! / Soggetto a modifiche senza preavviso!



• Tabella di scelta / Duty table

• Voltaggio / Voltage : 400 V	• Efficienza Vano / Shaft Efficiency : 0.85	<b>Sospensione / Suspension : 2:1</b>
• Avviamenti all'ora / Start Per Hour : 180	• Freno / Brake : 104 VDC	<b>Carico Statico / Static Load : 7000 Kg</b>

Codice Modello	Portata (kg)	Velocita' (m/s)	Peso Max Fune (kg)	Diametro Puleggia (mm)	Funi Puleggia (nxdxp) (mm)	Corrente (A)	Coppia (Nm)	Velocita' Nominale (rpm)	Frequenza (Hz)	Potenza (kW)	Poli	Categoria di Servizio	Classe di Isolamento	Codice IP
Model Code	Load (kg)	Lift Speed (m/s)	Max. Rope Weight (Kg)	Sheave Dia (mm)	Rope Sheave (mm)	Current (A)	Torque (Nm)	Rated Speed (rpm)	Frequency (Hz)	Power (kW)	Pole	Rating	INS. Class	IP Code
PG5-30P1A0	2250	1.00	50	Ø320	11 x Ø8.0 X 12	36.8	1200	119	23.8	15.0	24	S5 (40%)	F Class	IP40
PG5-30P1A5		1.50			11 x Ø8.0 X 12	46.0	1200	179	35.8	22.5				
PG5-30P1A6		1.60			11 x Ø8.0 X 12	49.0	1200	191	38.2	24.0				

PG5-21P1B0	1600	1.00	50	Ø400	8 x Ø10.0 X 16	33.2	1080	96	19.1	10.7	24	S5 (40%)	F Class	IP40
PG5-21P1B5		1.50			8 x Ø10.0 X 16	40.5	1080	143	28.6	16.1				
PG5-21P2B0		2.00			8 x Ø10.0 X 16	44.0	1080	191	38.2	21.5				

PG5-26P1B0	2000	1.00	50	Ø400	8 x Ø10.0 X 16	43.0	1350	96	19.1	13.5	24	S5 (40%)	F Class	IP40
PG5-26P1B5		1.50			8 x Ø10.0 X 16	45.0	1350	143	28.6	20.2				
PG5-26P1B75		1.75			8 x Ø10.0 X 16	48.2	1350	167	33.4	23.4				

• Subject to change without any prior notice! / Soggetto a modifiche senza preavviso!



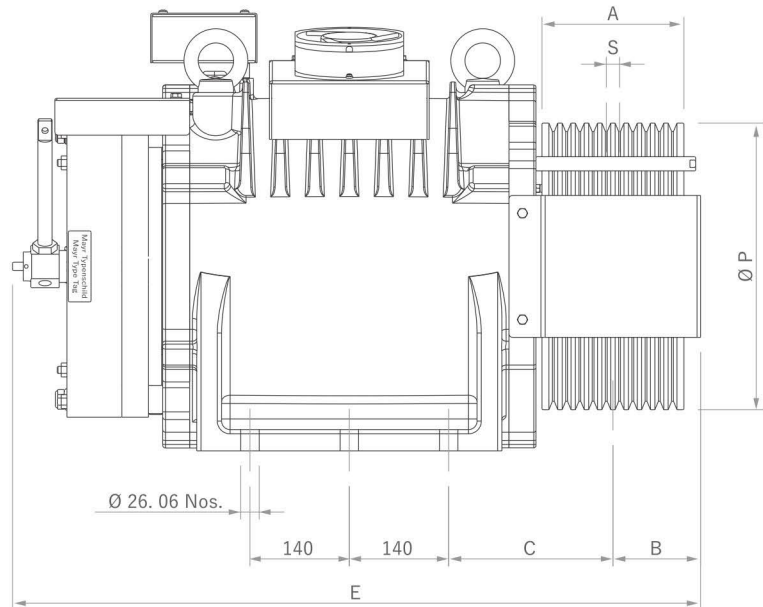
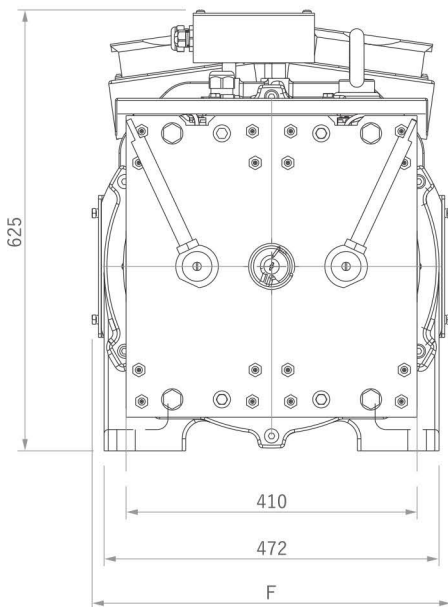
 **PG-6**



Carico Statico Static Load	5250 / 10500 Kg
Sospensione Suspension	1:1 / 2:1
Voltaggio Voltage	400 V
Freno Brake	207 VDC
Peso Weight	875* Kg

\*Weight of machine is varies according to selection of sheave and motor.  
\*Il peso della macchina varia in base alla scelta della puleggia e del motore.

ØP	A	B	C	N X ØD	E	F	S
Ø400	200	124	232	9 / 11 X Ø10	970	510	16
Ø450	185	123	224	10 X Ø11	965	510	16



All dimensions are in mm.  
Tutte le grandezze sono espresse in mm.

• Voltaggio / Voltage : 400 V • Efficienza Vano / Shaft Efficiency : 0.85

Sospensione / Suspension : 1:1

• Avviamenti all'ora / Start Per Hour : 180 • Freno / Brake : 207 VDC

Carico Statico / Static Load : 5250 Kg

Codice Modello	Portata (kg)	Velocita' (m/s)	Peso Max Fune (kg)	Diametro Puleggia (mm)	Funi Puleggia (nxdxp) (mm)	Corrente (A)	Coppia (Nm)	Velocita' Nominale (rpm)	Frequenza (Hz)	Potenza (kW)	Poli	Categoria di Servizio	Classe di Isolamento	Codice IP
Model Code	Load (kg)	Lift Speed (m/s)	Max. Rope Weight (Kg)	Sheave Dia (mm)	Rope Sheave (mm)	Current (A)	Torque (Nm)	Rated Speed (rpm)	Frequency (Hz)	Power (kW)	Pole	Rating	INS. Class	IP Code
PG6-16P0B6511	1250	0.65	80	Ø400	9 x Ø10.0 X 16	22.0	1700	31	6.2	5.6	24	S5 (40%)	F Class	IP40
PG6-16P1B011		1.0			9 x Ø10.0 X 16	32.0	1700	48	9.6	8.5				
PG6-16P1B511		1.5			9 x Ø10.0 X 16	37.0	1700	72	14.4	12.8				
PG6-16P1B7511		1.75			9 x Ø10.0 X 16	43.0	1700	84	16.7	14.9				
PG6-16P2B011		2.0			9 x Ø10.0 X 16	46.0	1700	96	19.1	17.0				
PG6-16P2B511		2.5			9 x Ø10.0 X 16	55.0	1700	120	23.8	21.3				
PG6-21P0B6511	1600	0.65	80	Ø400	11 x Ø10.0 X 16	29.0	2150	31	6.2	7.0	24	S5 (40%)	F Class	IP40
PG6-21P1B011		1.0			11 x Ø10.0 X 16	39.0	2150	48	9.6	10.8				
PG6-21P1B511		1.5			11 x Ø10.0 X 16	49.0	2150	72	14.4	16.2				
PG6-21P1B7511		1.75			11 x Ø10.0 X 16	59.0	2150	84	16.7	18.9				
PG6-21P2B011		2.0			11 x Ø10.0 X 16	64.0	2150	96	19.1	21.5				
PG6-21P2B511		2.5			11 x Ø10.0 X 16	75.0	2150	120	23.8	26.9				

• Voltaggio / Voltage : 400 V • Efficienza Vano / Shaft Efficiency : 0.85

Sospensione / Suspension : 2:1

• Avviamenti all'ora / Start Per Hour : 180 • Freno / Brake : 207 VDC

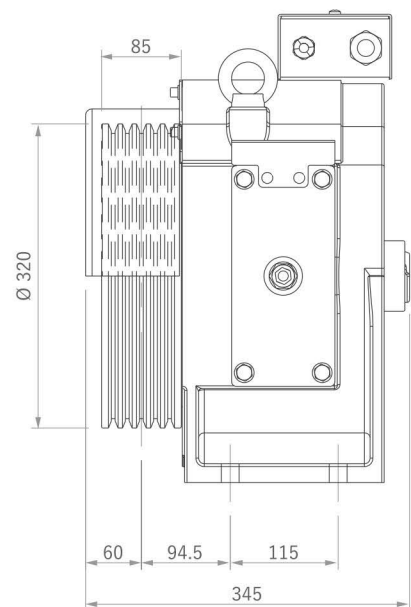
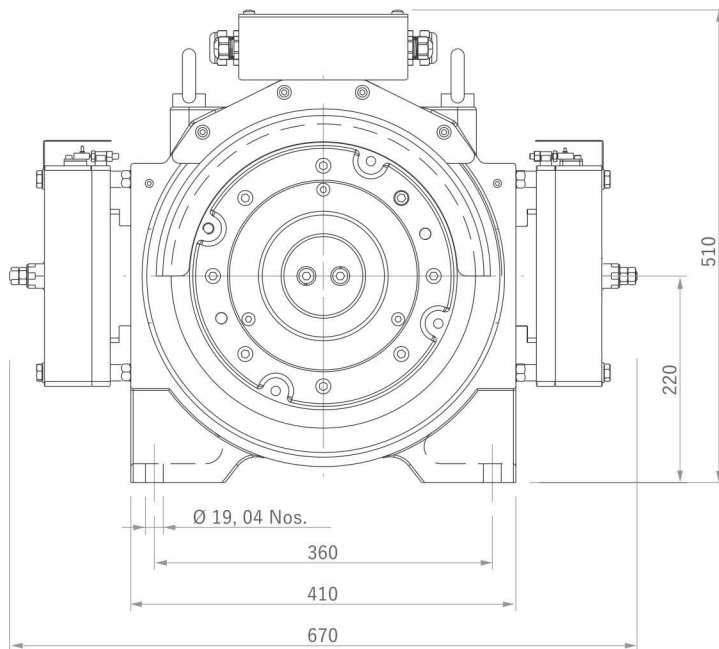
Carico Statico / Static Load : 10500 Kg

Codice Modello	Portata (kg)	Velocita' (m/s)	Peso Max Fune (kg)	Diametro Puleggia (mm)	Funi Puleggia (nxdxp) (mm)	Corrente (A)	Coppia (Nm)	Velocita' Nominale (rpm)	Frequenza (Hz)	Potenza (kW)	Poli	Categoria di Servizio	Classe di Isolamento	Codice IP
Model Code	Load (kg)	Lift Speed (m/s)	Max. Rope Weight (Kg)	Sheave Dia (mm)	Rope Sheave (mm)	Current (A)	Torque (Nm)	Rated Speed (rpm)	Frequency (Hz)	Power (kW)	Pole	Rating	INS. Class	IP Code
PG6-2500P0B65	2500	0.65	80	Ø400	9 x Ø10.0 X 16	35.0	1690	62	12.4	11.0	24	S5 (40%)	F Class	IP40
PG6-2500P1B0		1.00			9 x Ø10.0 X 16	46.0	1690	96	19.1	16.9				
PG6-2500P1B5		1.50			9 x Ø10.0 X 16	64.0	1690	143	28.6	25.3				
PG6-2500P2B0		2.00			9 x Ø10.0 X 16	72.0	1690	191	38.2	33.8				
PG6-3000P0B65	3000	0.65	80	Ø400	11 x Ø10.0 X 16	49.0	2020	62	12.4	13.1	24	S5 (40%)	F Class	IP40
PG6-3000P1B0		1.00			11 x Ø10.0 X 16	60.0	2020	96	19.1	20.1				
PG6-3000P1B5		1.50			11 x Ø10.0 X 16	78.0	2020	143	28.6	30.2				
PG6-3000P2B0		2.00			11 x Ø10.0 X 16	86.0	2020	191	38.2	40.3				
PG6-3000P0C65	3000	0.65	80	Ø450	10 x Ø11.0 X 16	50.0	2250	55	11	13.1	24	S5 (40%)	F Class	IP40
PG6-3000P1C0		1.00			10 x Ø11.0 X 16	64.0	2250	85	17	20.1				
PG6-3000P1C5		1.50			10 x Ø11.0 X 16	76.0	2250	127	25.5	30.2				
PG6-3000P2C0		2.00			10 x Ø11.0 X 16	91.0	2250	170	34	40.3				
PG6-3000P2C5		2.50			10 x Ø11.0 X 16	96.0	2250	191	38.2	45.0				





Carico Statico Static Load	2000 / 4000 Kg
Sospensione Suspension	1:1 / 2:1
Voltaggio Voltage	400 V
Freno Brake	110 VDC
Peso Weight	250 Kg



All dimensions are in mm.  
Tutte le grandezze sono espresse in mm.



• Tabella di scelta / Duty table

• Voltaggio / Voltage : 400 V	• Efficienza Vano / Shaft Efficiency : 0.85	<b>Sospensione / Suspension : 1:1</b>
• Avviamenti all'ora / Start Per Hour : 180	• Freno / Brake : 110 VDC	<b>Carico Statico / Static Load : 2000 Kg</b>

Codice Modello	Portata (kg)	Velocita' (m/s)	Peso Max Fune (kg)	Diametro Puleggia (mm)	Funi Puleggia (nxdp) (mm)	Corrente (A)	Coppia (Nm)	Velocita' Nominale (rpm)	Frequenza (Hz)	Potenza (kW)	Poli	Categoria di Servizio	Classe di Isolamento	Codice IP
Model Code	Load (kg)	Lift Speed (m/s)	Max. Rope Weight (Kg)	Sheave Dia (mm)	Rope Sheave (mm)	Current (A)	Torque (Nm)	Rated Speed (rpm)	Frequency (Hz)	Power (kW)	Pole	Rating	INS. Class	IP Code
PGW0250063320	250	0.63	30	Ø320	5 x Ø8.0 X 12	9.2	303	38	7.5	1.2	24	S5 (40%)	F Class	IP40
PGW0250100320		1.00			5 x Ø8.0 X 12	9.2	303	60	12.0	1.9				
PGW0250150320		1.50			5 x Ø8.0 X 12	9.8	303	90	18.0	2.9				
PGW0250160320		1.60			5 x Ø8.0 X 12	9.8	303	96	19.1	3.0				
PGW0250175320		1.75			5 x Ø8.0 X 12	10.5	303	105	20.9	3.3				
PGW0250200320		2.00			5 x Ø8.0 X 12	10.5	303	119	23.8	3.8				

PGW0320063320	320	0.63	30	Ø320	5 x Ø8.0 X 12	10.2	377	38	7.5	1.5	24	S5 (40%)	F Class	IP40
PGW0320100320		1.00			5 x Ø8.0 X 12	10.2	377	60	12.0	2.4				
PGW0320150320		1.50			5 x Ø8.0 X 12	11.5	377	90	18.0	3.5				
PGW0320160320		1.60			5 x Ø8.0 X 12	11.5	377	96	19.1	3.8				
PGW0320175320		1.75			5 x Ø8.0 X 12	12.5	377	105	20.9	4.1				
PGW0320200320		2.00			5 x Ø8.0 X 12	12.5	377	119	23.8	4.7				

• Subject to change without any prior notice! / Soggetto a modifiche senza preavviso!



• Tabella di scelta / Duty table

• Voltaggio / Voltage : 400 V	• Efficienza Vano / Shaft Efficiency : 0.85	<b>Sospensione / Suspension : 2:1</b>
• Avviamenti all'ora / Start Per Hour : 180	• Freno / Brake : 110 VDC	<b>Carico Statico / Static Load : 4000 Kg</b>

Codice Modello	Portata (kg)	Velocita' (m/s)	Peso Max Fune (kg)	Diametro Puleggia (mm)	Funi Puleggia (nxdxp) (mm)	Corrente (A)	Coppia (Nm)	Velocita' Nominale (rpm)	Frequenza (Hz)	Potenza (kW)	Poli	Categoria di Servizio	Classe di Isolamento	Codice IP
Model Code	Load (kg)	Lift Speed (m/s)	Max. Rope Weight (Kg)	Sheave Dia (mm)	Rope Sheave (mm)	Current (A)	Torque (Nm)	Rated Speed (rpm)	Frequency (Hz)	Power (kW)	Pole	Rating	INS. Class	IP Code
PGW0320063320	320	0.63	30	Ø320	4 x Ø8.0 X 12	6.0	200	75	15.0	1.6	24	S5 (40%)	F Class	IP40
PGW0320100320		1.00			4 x Ø8.0 X 12	7.0	200	119	23.8	2.5				
PGW0320150320		1.50			4 x Ø8.0 X 12	10.2	200	179	35.8	3.7				
PGW0320160320		1.60			4 x Ø8.0 X 12	10.5	200	191	38.2	4.0				
PGW0320175320		1.75			4 x Ø8.0 X 12	12.0	200	209	41.8	4.4				
PGW0320200320		2.00			4 x Ø8.0 X 12	12.8	200	239	47.8	5.0				

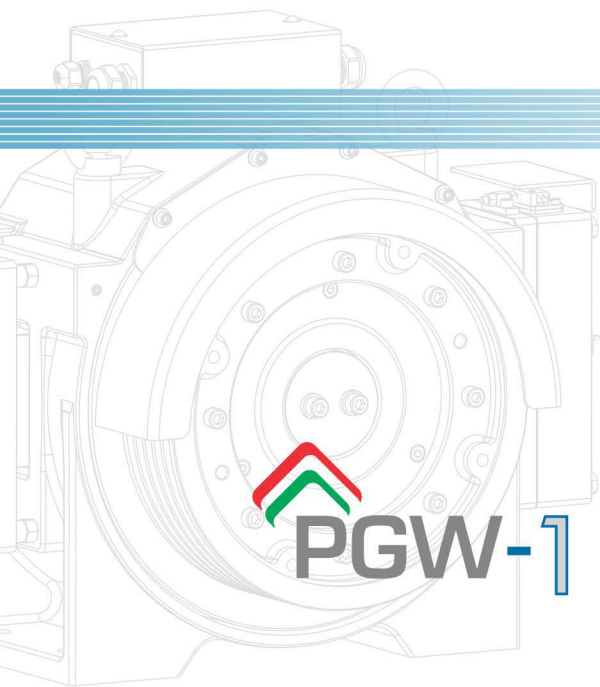
PGW0400063320	400	0.63	30	Ø320	4 x Ø8.0 X 12	7.2	230	75	15.0	1.9	24	S5 (40%)	F Class	IP40
PGW0400100320		1.00			4 x Ø8.0 X 12	8.0	230	119	23.8	3.0				
PGW0400150320		1.50			4 x Ø8.0 X 12	11.5	230	179	35.8	4.5				
PGW0400160320		1.60			4 x Ø8.0 X 12	11.8	230	191	38.2	4.8				
PGW0400175320		1.75			4 x Ø8.0 X 12	13.5	230	209	41.8	5.3				
PGW0400200320		2.00			4 x Ø8.0 X 12	14.0	230	239	47.8	6.0				

PGW0480063320	480	0.63	30	Ø320	5 x Ø8.0 X 12	8.2	280	75	15.0	2.2	24	S5 (40%)	F Class	IP40
PGW0480100320		1.00			5 x Ø8.0 X 12	9.0	280	119	23.8	3.5				
PGW0480150320		1.50			5 x Ø8.0 X 12	12.8	280	179	35.8	5.3				
PGW0480160320		1.60			5 x Ø8.0 X 12	13.8	280	191	38.2	5.7				
PGW0480175320		1.75			5 x Ø8.0 X 12	14.8	280	209	41.8	6.2				
PGW0480200320		2.00			5 x Ø8.0 X 12	15.8	280	239	47.8	7.1				

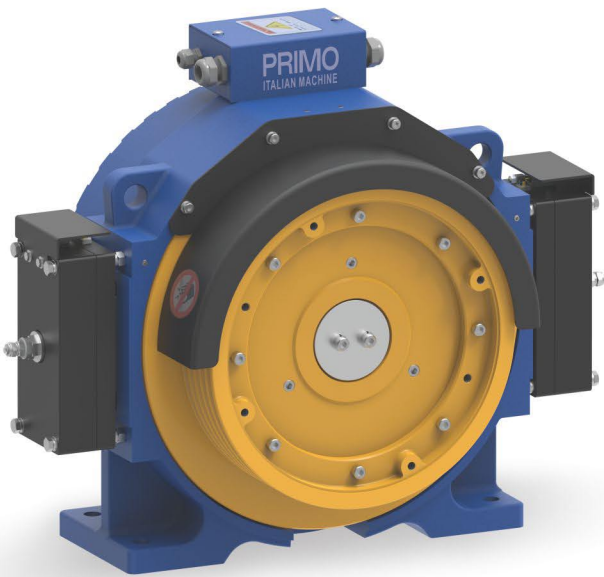
PGW0630063320	630	0.63	30	Ø320	5 x Ø8.0 X 12	11.0	360	75	15.0	2.9	24	S5 (40%)	F Class	IP40
PGW0630100320		1.00			5 x Ø8.0 X 12	11.8	360	119	23.8	4.5				
PGW0630150320		1.50			5 x Ø8.0 X 12	15.2	360	179	35.8	6.8				
PGW0630160320		1.60			5 x Ø8.0 X 12	16.2	360	191	38.2	7.2				
PGW0630175320		1.75			5 x Ø8.0 X 12	18.0	360	209	41.8	7.9				
PGW0630200320		2.00			5 x Ø8.0 X 12	19.5	360	239	47.8	9.0				

• Subject to change without any prior notice! / Soggetto a modifiche senza preavviso!





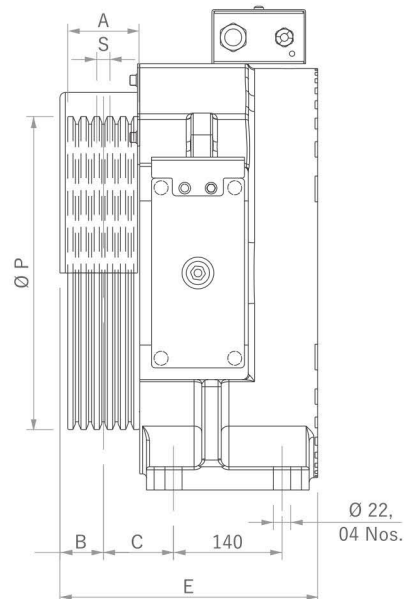
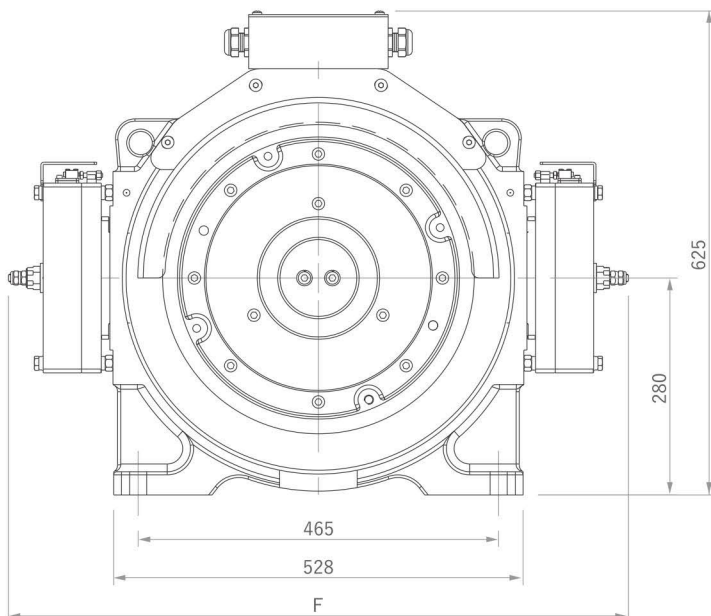

**PGW-1**



Carico Statico Static Load	3200 / 6400 Kg
Sospensione Suspension	1:1 / 2:1
Voltaggio Voltage	400 V
Freno Brake	110VDC
Peso Weight	410* Kg

\*Weight of machine is varies according to selection of sheave and motor.  
\*il peso della macchina varia in base alla scelta della puleggia e del motore.

ØP	A	B	C	N X ØD	E	F	S
Ø340	112	68	100.5	6 / 7 X Ø8	355	800	12
Ø400	92	56	90.5	5 X Ø10	335		16
	110	77	99.5	6 X Ø10	365		



All dimensions are in mm.  
Tutte le grandezze sono espresse in mm.



• Tabella di scelta / Duty table

• Voltaggio / Voltage : 400 V • Efficienza Vano / Shaft Efficiency : 0.85

Sospensione / Suspension : 1:1

• Avviamenti all'ora / Start Per Hour : 180 • Freno / Brake : 110 VDC

Carico Statico / Static Load : 3200 Kg

Codice Modello	Portata (kg)	Velocita' (m/s)	Peso Max Fune (kg)	Diametro Puleggia (mm)	Funi Puleggia (nxdxp) (mm)	Corrente (A)	Coppia (Nm)	Velocita' Nominale (rpm)	Frequenza (Hz)	Potenza (kW)	Poli	Categoria di Servizio	Classe di Isolamento	Codice IP
Model Code	Load (kg)	Lift Speed (m/s)	Max. Rope Weight (Kg)	Sheave Dia (mm)	Rope Sheave (mm)	Current (A)	Torque (Nm)	Rated Speed (rpm)	Frequency (Hz)	Power (kW)	Pole	Rating	INS. Class	IP Code
PGW1320063340	320	0.63	35	Ø340	6 x Ø8.0 X 12	9.2	400	36	9.5	1.5	32	S5 (40%)	F Class	IP40
PGW1320063400				Ø400	5 x Ø10.0 X 16	11.0	470	30	8.0	1.5				
PGW1320100340		1.00		Ø340	6 x Ø8.0 X 12	10.0	400	56	15.0	2.4				
PGW1320100400				Ø400	5 x Ø10.0 X 16	11.8	470	48	12.7	2.4				
PGW1320150340		1.50		Ø340	6 x Ø8.0 X 12	10.5	400	84	22.5	3.5				
PGW1320150400				Ø400	5 x Ø10.0 X 16	12.4	470	72	19.1	3.5				
PGW1320160340		1.60		Ø340	6 x Ø8.0 X 12	10.5	400	90	24.0	3.8				
PGW1320160400				Ø400	5 x Ø10.0 X 16	12.4	470	76	20.4	3.8				
PGW1320175340		1.75		Ø340	6 x Ø8.0 X 12	11.6	400	98	26.2	4.1				
PGW1320175400				Ø400	5 x Ø10.0 X 16	13.5	470	84	22.3	4.1				
PGW1320200340		2.00		Ø340	6 x Ø8.0 X 12	12.8	400	112	30.0	4.7				
PGW1320200400				Ø400	5 x Ø10.0 X 16	14.2	470	96	25.5	4.7				
PGW1400063340	400	0.63	35	Ø340	6 x Ø8.0 X 12	11.0	480	36	9.5	1.8	32	S5 (40%)	F Class	IP40
PGW1400063400				Ø400	5 x Ø10.0 X 16	12.0	570	30	8.0	1.8				
PGW1400100340		1.00		Ø340	6 x Ø8.0 X 12	11.8	480	56	15.0	2.9				
PGW1400100400				Ø400	5 x Ø10.0 X 16	13.0	570	48	12.7	2.9				
PGW1400150340		1.50		Ø340	6 x Ø8.0 X 12	12.4	480	84	22.5	4.3				
PGW1400150400				Ø400	5 x Ø10.0 X 16	14.0	570	72	19.1	4.3				
PGW1400160340		1.60		Ø340	6 x Ø8.0 X 12	12.4	480	90	24.0	4.6				
PGW1400160400				Ø400	5 x Ø10.0 X 16	14.0	570	76	20.4	4.6				
PGW1400175340		1.75		Ø340	6 x Ø8.0 X 12	13.5	480	98	26.2	5.0				
PGW1400175400				Ø400	5 x Ø10.0 X 16	15.0	570	84	22.3	5.0				
PGW1400200340		2.00		Ø340	6 x Ø8.0 X 12	14.5	480	112	30.0	5.8				
PGW1400200400				Ø400	5 x Ø10.0 X 16	15.9	570	96	25.5	5.8				
PGW1500063340	500	0.63	35	Ø340	7 x Ø8.0 X 12	12.2	600	36	9.5	2.2	32	S5 (40%)	F Class	IP40
PGW1500063400				Ø400	6 x Ø10.0 X 16	13.2	700	30	8.0	2.2				
PGW1500100340		1.00		Ø340	7 x Ø8.0 X 12	13.2	600	56	15.0	3.6				
PGW1500100400				Ø400	6 x Ø10.0 X 16	14.4	700	48	12.7	3.6				
PGW1500150340		1.50		Ø340	7 x Ø8.0 X 12	14.2	600	84	22.5	5.3				
PGW1500150400				Ø400	6 x Ø10.0 X 16	15.4	700	72	19.1	5.3				
PGW1500160340		1.60		Ø340	7 x Ø8.0 X 12	14.2	600	90	24.0	5.6				
PGW1500160400				Ø400	6 x Ø10.0 X 16	15.4	700	76	20.4	5.6				
PGW1500175340		1.75		Ø340	7 x Ø8.0 X 12	15.2	600	98	26.2	6.2				
PGW1500175400				Ø400	6 x Ø10.0 X 16	16.4	700	84	22.3	6.2				
PGW1500200340		2.00		Ø340	7 x Ø8.0 X 12	16.2	600	112	30.0	7.0				
PGW1500200400				Ø400	6 x Ø10.0 X 16	17.5	700	96	25.5	7.0				

• Subject to change without any prior notice! / Soggetto a modifiche senza preavviso!

• Tabella di scelta / Duty table

• Voltaggio / Voltage : 400 V

• Efficienza Vano / Shaft Efficiency : 0.85

Sospensione / Suspension : 1:1

• Avviamenti all'ora / Start Per Hour : 180 • Freno / Brake : 110 VDC

Carico Statico / Static Load : 6400 Kg

Codice Modello	Portata (kg)	Velocita' (m/s)	Peso Max Fune (kg)	Diametro Puleggia (mm)	Funi Puleggia (nxdxp) (mm)	Corrente (A)	Coppia (Nm)	Velocita' Nominale (rpm)	Frequenza (Hz)	Potenza (kW)	Poli	Categoria di Servizio	Classe di Isolamento	Codice IP
Model Code	Load (kg)	Lift Speed (m/s)	Max. Rope Weight (Kg)	Sheave Dia (mm)	Rope Sheave (mm)	Current (A)	Torque (Nm)	Rated Speed (rpm)	Frequency (Hz)	Power (kW)	Pole	Rating	INS. Class	IP Code
PGW1630050400	630	0.50	35	Ø400	5 x Ø10.0 X 16	10.6	450	48	12.7	2.3	32	S5 (40%)	F Class	IP40
PGW1630063400		0.63			5 x Ø10.0 X 16	11.0	450	60	16.0	2.8				
PGW1630100400		1.00			5 x Ø10.0 X 16	13.0	450	96	25.5	4.5				
PGW1630150400		1.50			5 x Ø10.0 X 16	16.0	450	143	38.2	6.8				
PGW1630160400		1.60			5 x Ø10.0 X 16	16.5	450	153	40.8	7.2				
PGW1630175400		1.75			5 x Ø10.0 X 16	18.0	450	167	44.6	7.9				
PGW1630200400		2.00			5 x Ø10.0 X 16	20.0	450	191	51.0	9.0				

PGW1800050400	800	0.50	35	Ø400	6 x Ø10.0 X 16	12.5	560	48	12.7	2.8	32	S5 (40%)	F Class	IP40
PGW1800063400		0.63			6 x Ø10.0 X 16	13.0	560	60	16.0	3.5				
PGW1800100400		1.00			6 x Ø10.0 X 16	14.5	560	96	25.5	5.6				
PGW1800150400		1.50			6 x Ø10.0 X 16	18.0	560	143	38.2	8.5				
PGW1800160400		1.60			6 x Ø10.0 X 16	18.5	560	153	40.8	9.0				
PGW1800175400		1.75			6 x Ø10.0 X 16	20.0	560	167	44.6	9.9				
PGW1800200400		2.00			6 x Ø10.0 X 16	22.5	560	191	51.0	11.3				

PGW11000050400	1000	0.50	35	Ø400	6 x Ø10.0 X 16	14.0	695	48	12.7	3.5	32	S5 (40%)	F Class	IP40
PGW11000063400		0.63			6 x Ø10.0 X 16	14.5	695	60	16.0	4.4				
PGW11000100400		1.00			6 x Ø10.0 X 16	16.0	695	96	25.5	6.9				
PGW11000150400		1.50			6 x Ø10.0 X 16	19.5	695	143	38.2	10.4				
PGW11000160400		1.60			6 x Ø10.0 X 16	20.0	695	153	40.8	11.1				
PGW11000175400		1.75			6 x Ø10.0 X 16	24.0	695	167	44.6	12.1				
PGW11000200400		2.00			6 x Ø10.0 X 16	28.0	695	191	51.0	13.9				

• Subject to change without any prior notice! / Soggetto a modifiche senza preavviso!





**PRIMO S.R.L.**

Via Noalese Sud. 66/30030 Mellaredo (VE) - ITALY

Tele : +39 041 468 966. Fax : +39 041 468 463

E-mail : [info@primoitalianmachine.it](mailto:info@primoitalianmachine.it)

Website : [www.primoitalianmachine.it](http://www.primoitalianmachine.it)